

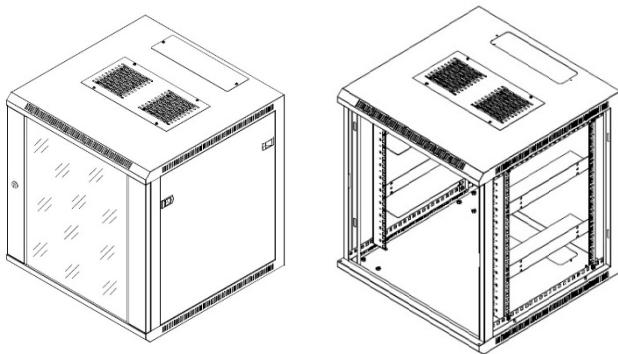
IT RACK WALL MOUNT CABINET

INTRODUCTION

LUX's wall mount cabinets are compatible with 19" EIA/ECA-310 standard and available in standard size of 4U, 6U, 9U, 12U, 15U, 18U and 21U with static loadings of 60kg. Standard with tempered glass front door and perforated door is available as an optional item.

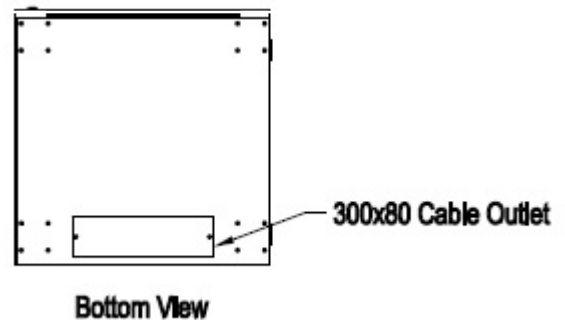
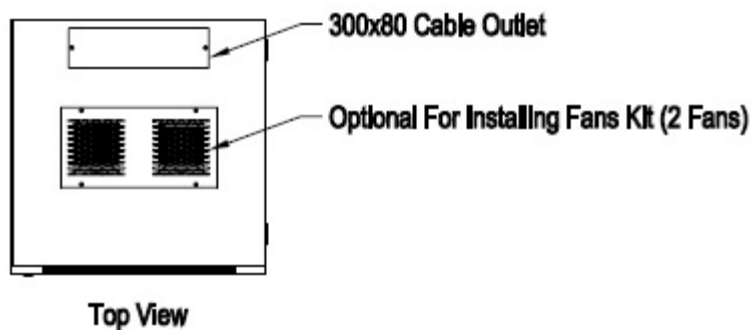
Cabinets are made of cold steel or aluminum with supreme black powder coating for protection from scratch and rust. The wall mount cabinet is IP20 rated and suitable for housing the 19"EIA standard networking devices or cabling patch panels within the corridor, closet or duct room areas.

All wall mount cabinets are providing flexibility and scalability for future integration with our cable ladder, fiber raceway and aisle solutions.



FEATURES

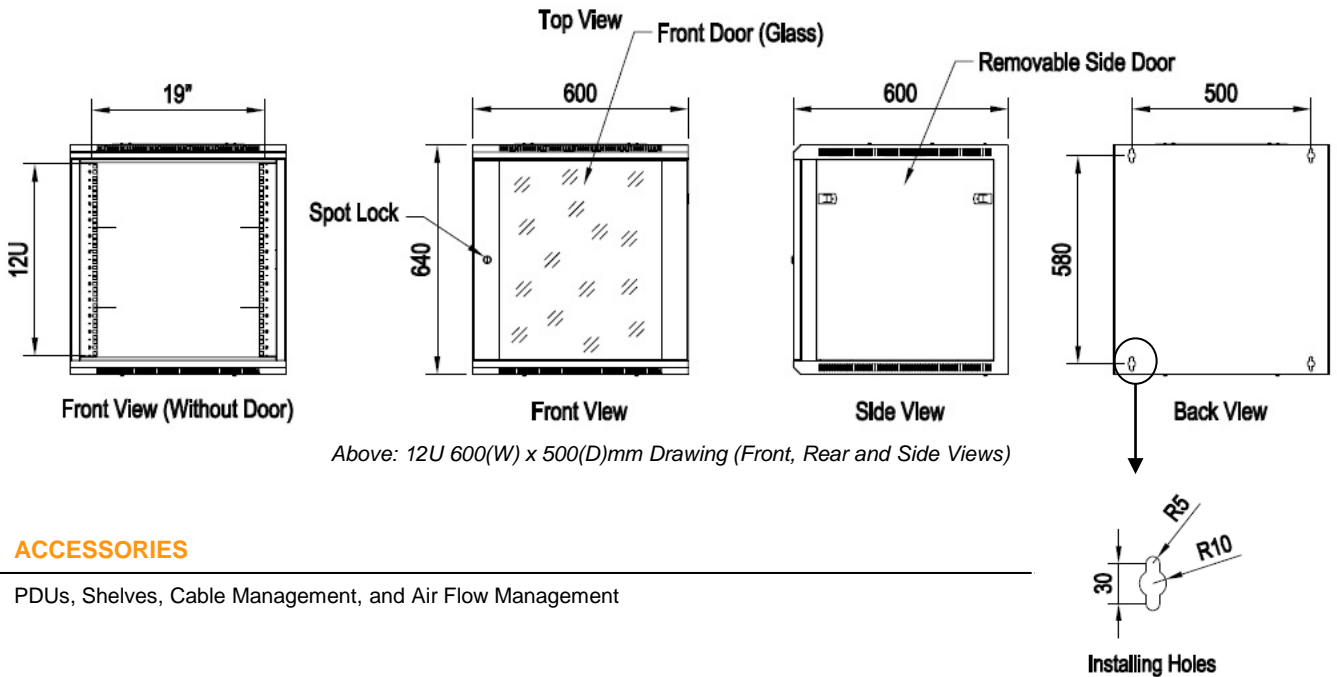
- Wall Mount: 4U, 6U, 9U, 12U, 15U, 18U and 21U Height
- 19" EIA/ECA-310 Standard
- Option in 600mm, 500mm and 450mm depth
- Standard with tempered glass front door.
Option in perforated door
- Fully welded frame structure
- Top and bottom cable entry
- Security Lockable door
- Quick release side panel;
- Fully Integrated with Cabling and Cable Management Solutions
- Customization available



Above: 12U 600(W) x 500(D)mm Drawing

The information and specification in this document are subjected to change without notice





ACCESSORIES

PDUs, Shelves, Cable Management, and Air Flow Management

SPECIFICATIONS

Static Loading:	60kg
Color:	Black power coating
Frameworks:	SPCC 1.2mm with welded frame structure
Front, Rear & Side Supporting Channel:	SPCC 2.0mm
Front & Rear 19" Mounting Channel:	Front & rear vertical channels with U marking
Front Door:	Lockable tempered glass door
Rear Door:	SPCC 1.2mm
Side Door:	SPCC 1.2mm; Quick release side panel
Top Panel:	SPCC 1.2mm; Cable entry (300x80mm) with blank plate to seal the cable entry. Available with roof mount fan units
Bottom Panel:	SPCC 1.2mm Cable entry (300x80mm) with blank plate to seal the cable entry
Others:	Earthing kit x 1set M6 fixing screws & nuts x 50pcs

The information and specification in this document are subjected to change without notice



ORDERING PART NUMBER

Example: WM-04U66SD = 4U Wall mount cabinet, 600(W)x 600(D)x 280(H), Standard

Character	W	M	C	-	A	B	C	D	E	S	D
Example	W	M	C	-	0	4	U	6	6	S	D

ABC – HEIGHT (U)		DE – DIMENSIONS	
04U = 4U, 280(H)	15U = 15U, 770(H)	63 = 600(W) x 365(D)	
06U = 6U, 365(H)	18U = 18U, 905(H)	64 = 600(W) x 450(D)	
09U = 9U, 500(H)	21U = 21U, 1040(H)	68 = 600(W) x 480(D)	
12U = 12U, 640(H)		65 = 600(W) x 500(D)	
		66 = 600(W) x 600(D)	
		67 = 600(W) x 700(D)	

The information and specification in this document are subjected to change without notice

