

IT RACK SOLUTIONS

Solution Highlights

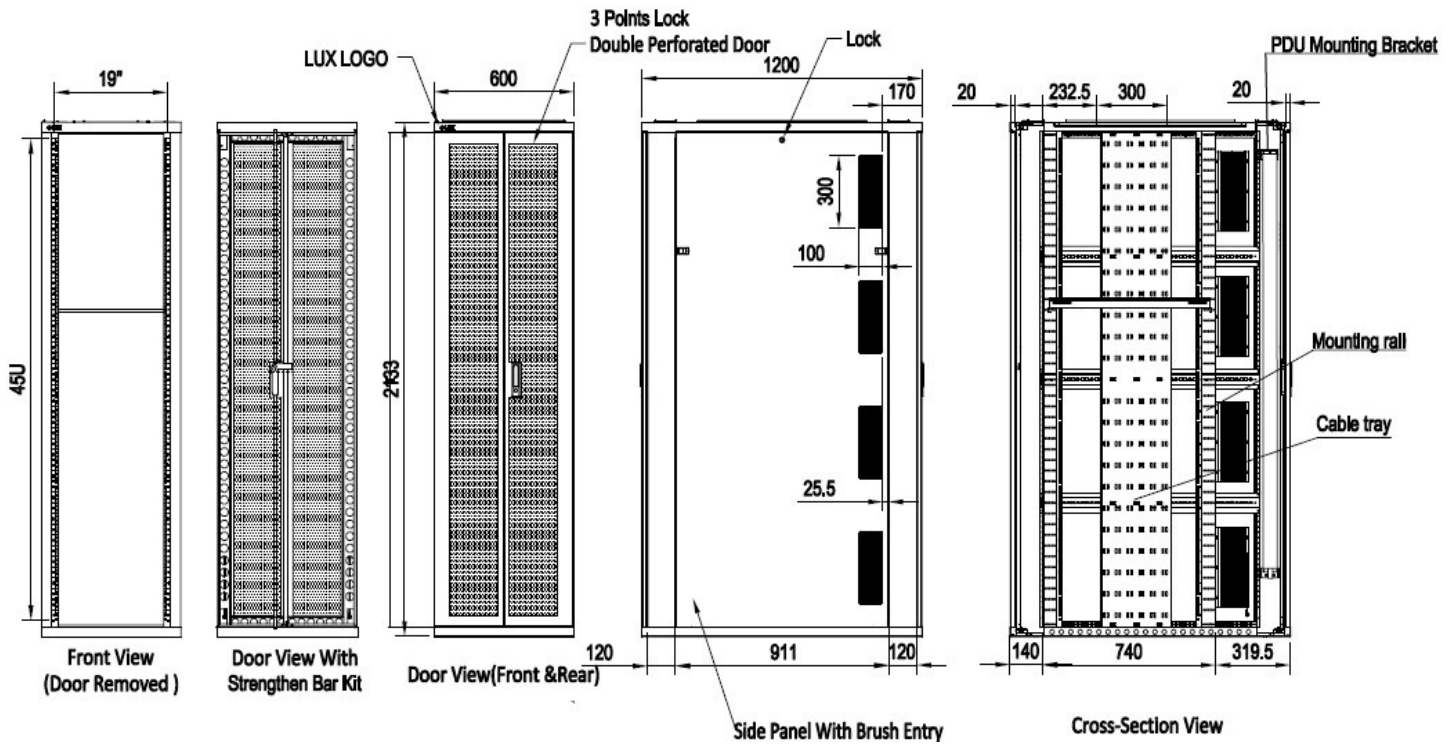
- 4U ~ 58U Height Cabinet
- 60kg ~ 2,000kg Static Loading
- Perforated Door
- Modular Design
- Fully Integrated with Cabling Solutions
- Customization



We offer a comprehensive range of cabinets, racks, enclosures, cold aisle containment and cable management solutions for Datacom & Telecom. Our high quality products and applications address challenge of cable management, cooling, energy saving, space utilization and scalability.

We realize that every project is unique, therefore we provide cabinets & racks customization and advisory services for optimizing the overall utilities.





Above drawings are example only

IT RACK

All are compatible with 19" EIA/ECA-310 standard and available in several of dimensions and static loadings. Over 70% ventilation rate of perforated doors for optimizing air flow and improve the cooling efficiency as standard offer. 80% ventilation rate of perforated doors are also available.

IT racks are made of cold steel or aluminum with supreme black (or other colour) powder coating for protection from scratch and rust.

All IT racks are providing flexibility and scalability for future integration with cable basket, fiber raceway and aisle solutions.

FEATURES

- Available in Floor Stand and Wall Mount
- Floor Stand: 9U, 12U, 15U, 19U, 21U, 22U, 32U, 37U, 42U, 45U, 47U, 48U, 50U, 52U, 54U, 58U and other tailor made
- Wall Mount: 2U, 4U, 9U, 12U, 16U and other tailor made
- Available in co-location racks
- 19" EIA/ECA-310 Standard
- Standard with with 78.8% Ventilation rate of Perforated Doors. Option with higher perforated rate
- Modular Design
- Fully Integrated with Cabling and Cable Management Solutions
- Customization



SPECIFICATIONS

Products:	<u>Floor stand cabinets</u> 9U, 12U, 15U, 19U, 21U, 22U, 32U, 37U, 42U, 45U, 47U, 48U, 50U, 52U, 54U, 58U height <u>Wall mount cabinets</u> 2U, 4U, 9U, 12U and 16U height Available in other height
Color:	Black power coating / Or other colours
Frameworks:	SPCC with multi-folded (standard)
Front, Rear & Side Supporting Channel:	SPCC (standard)
Front & Rear 19" Mounting Channel:	Adjustable front & rear vertical channels with U marking Available in tool less adjustable design
Front Door:	SPCC 78.8 % Perforation rated with hexangular hole 3 points handle key lock Single or Double Door * available in front glass door
Rear Door:	SPCC 78.8 % Perforation rated with hexangular hole 3 points handle key lock Single or Double Door * available in rear glass door
Side Door:	SPCC Quick release lockable side panel Option with keylock
Top Panel:	SPCC Cable entry with various size and with blank plate to seal the cable entry Available with roof mount fan units
Bottom Panel:	SPCC Cable entry with various size and with blank plate to seal the cable entry
Others:	Castor & leveling feet x 4pcs Earthing kit x 1set M6 fixing screws & nuts x 50pcs



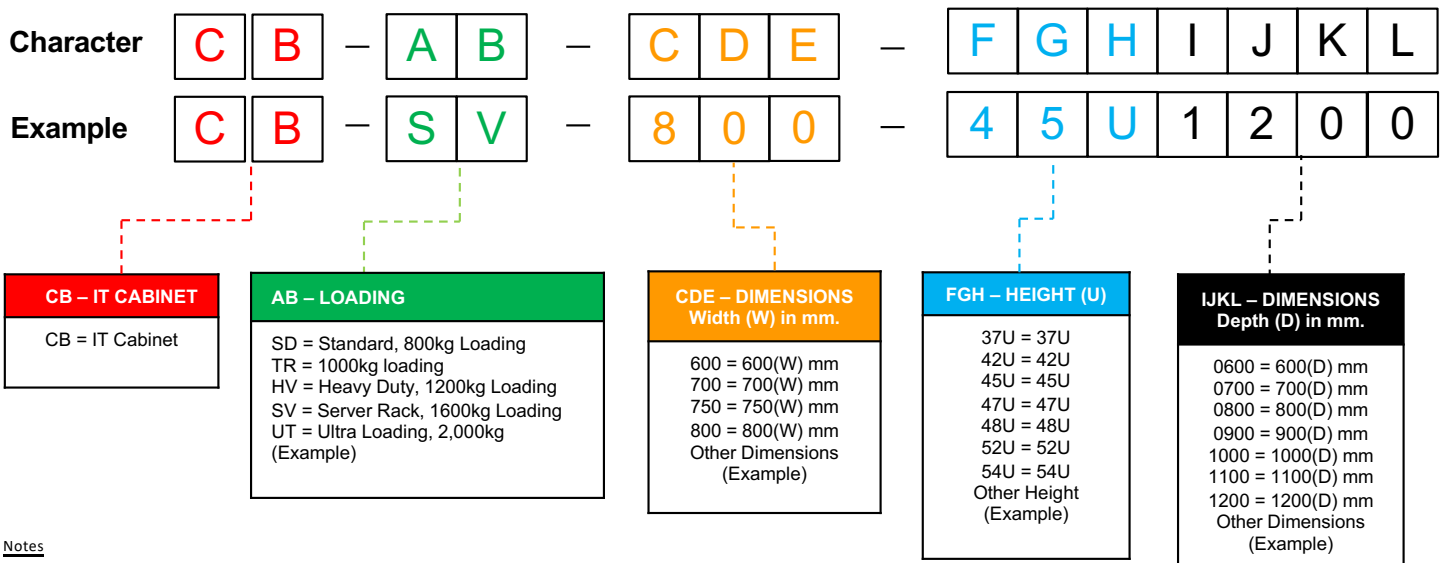
ACCESSORIES

PDUs, Shelves, Cable Management, and Air Flow Management



ORDERING PART NUMBER

Example: of **CB-SV-800-Series** Part No.: CB-SV-800-45U1200 = IT Cabinet; 1600kg Static Loading; 800mm(W) Series, 45U Height, 1200mm(D)



Notes

Please contact us for other configuration and customization

All information and specifications are subject to change without notice.

