

CABLE MANAGEMENT FIBER CHANNEL GUIDELINE

We provide a comprehensive **CABLE MANAGEMENT** solutions to our clients. Our certified installers are eligible to apply for 25 years system warranty with full solution provided by LUX RACK.

www.lux-rack.com

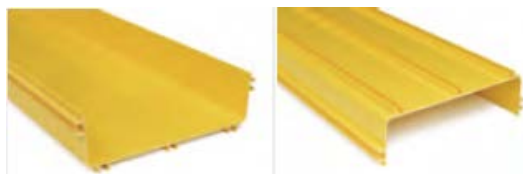


FIBER CHANNEL GUIDELINE



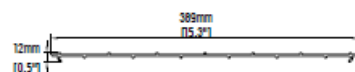
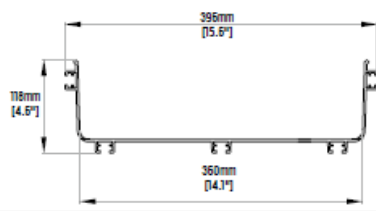
360 STRAIGHT SECTION

Used to carry the cables horizontally throughout the system. Accepts cover and fittings.



WIDTH	HEIGHT	MATERIAL
360 mm	100 mm	PVC / ABS

360 STRAIGHT SECTION COVER



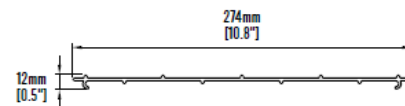
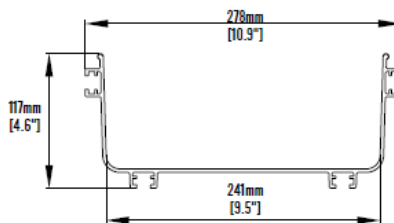
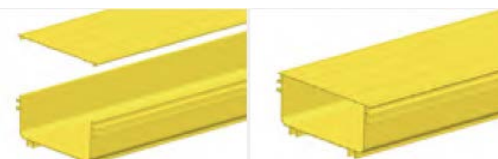
240 STRAIGHT SECTION

Used to carry the cables horizontally throughout the system. Accepts cover and fittings.



WIDTH	HEIGHT	MATERIAL
240 mm	100 mm	PVC / ABS

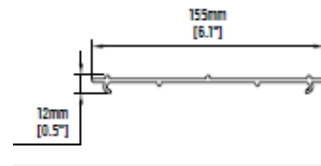
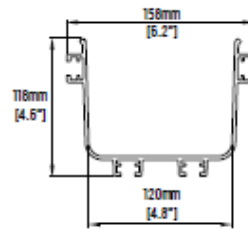
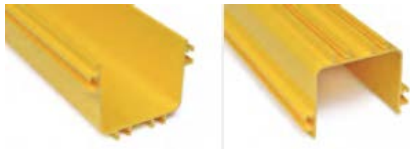
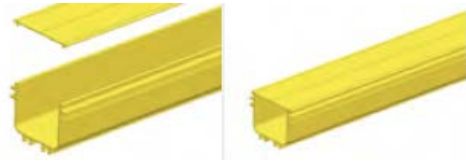
240 STRAIGHT SECTION COVER



120 STRAIGHT SECTION

120 STRAIGHT SECTION COVER

Used to carry the cables horizontally throughout the system. Accepts cover and fittings.



WIDTH	HEIGHT	MATERIAL
120 mm	100 mm	PVC / ABS

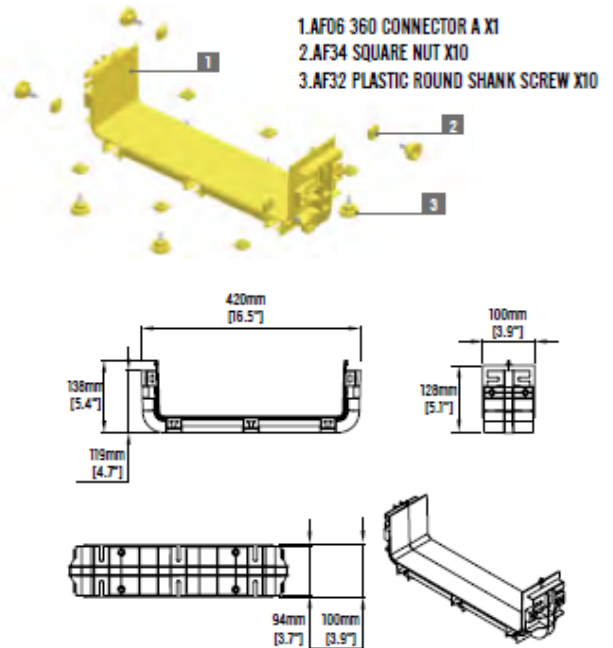


360 CONNECTOR A KIT

Quickly joins two sections of channel and/or fittings. Tighten and release bolts by fingers, absolutely toolless



WIDTH	HEIGHT	MATERIAL
360 mm	100 mm	PVC / ABS

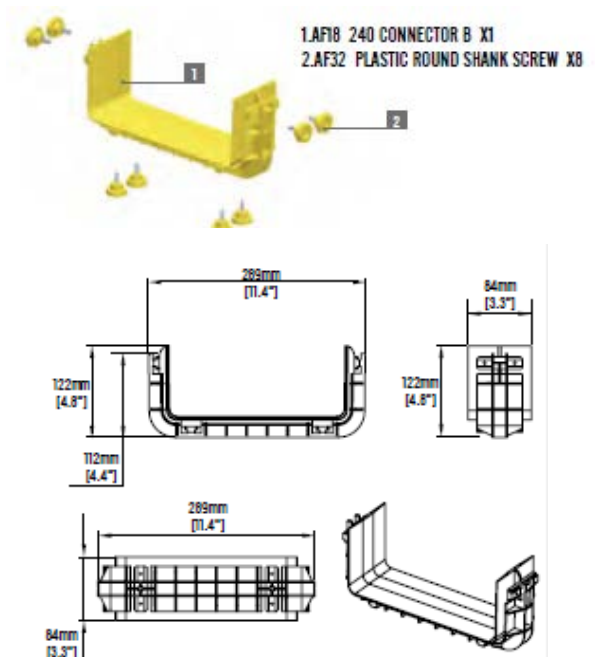


240 CONNECTOR B KIT

Quickly joins two sections of channel and/or fittings. Tighten and release bolts by fingers, absolutely toolless

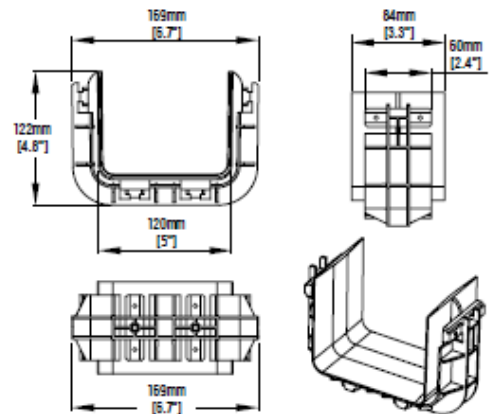
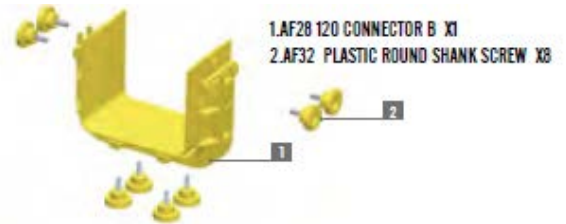


WIDTH	HEIGHT	MATERIAL
240 mm	100 mm	PVC / ABS



120 CONNECTOR B KIT

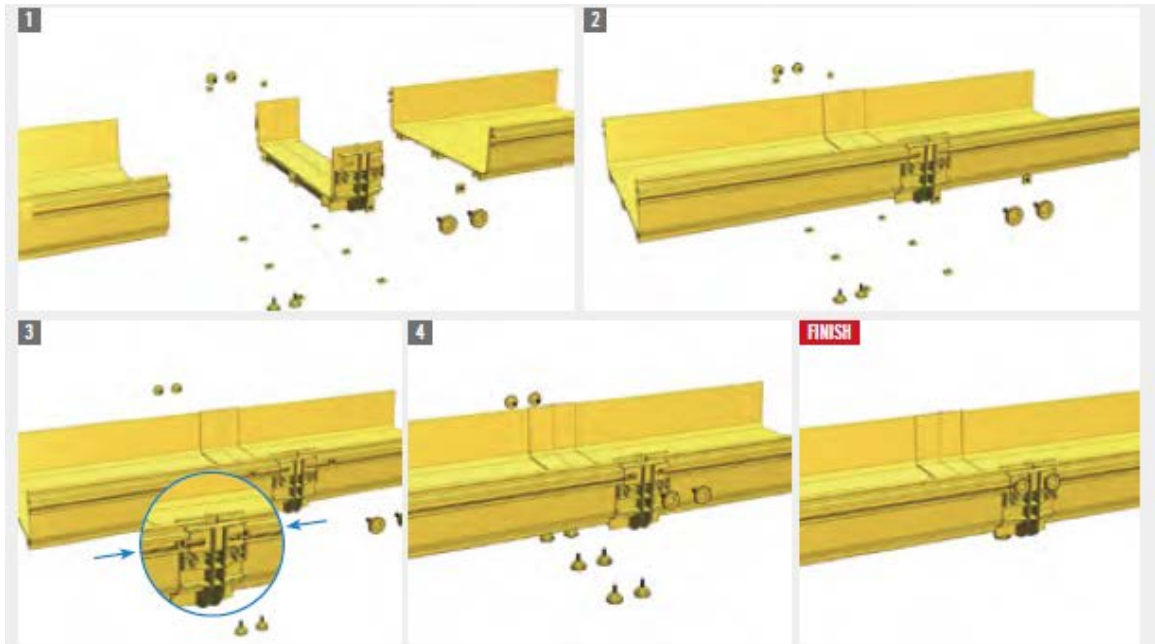
Quickly joins two sections of channel and/or fittings. Tighten and release bolts by fingers, absolutely toolless



WIDTH	HEIGHT	MATERIAL
120 mm	100 mm	PVC / ABS



360/240/120 INSTALLATION DEMONSTRATION



- (1) Connect the straight sections by the connector
- (2) By using the plastic round shank screw to secure the connector between two straight sections. Each connector require 8pcs plastic round shank screw



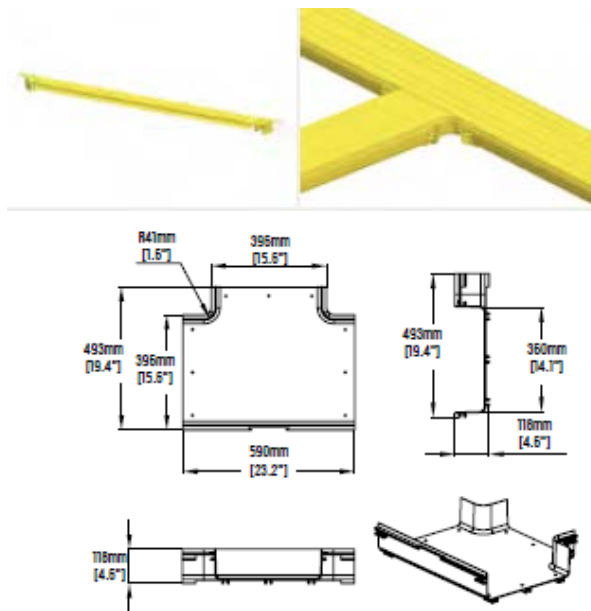
360 HORIZONTAL TEE

360 HORIZONTAL TEE CROSS COVER

Attaches to channel and/or fittings to create a 90°horizontal Branch from a straight horizontal run.



WIDTH	HEIGHT	MATERIAL
360 mm	100 mm	PVC / ABS



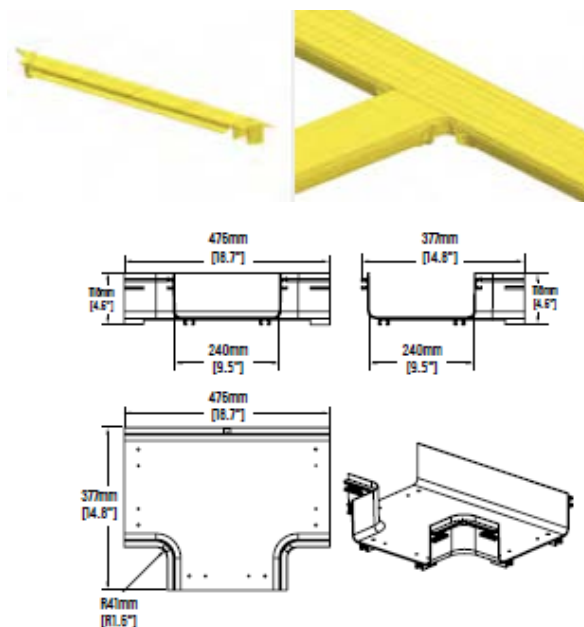
240 HORIZONTAL TEE

240 HORIZONTAL TEE CROSS COVER

Attaches to channel and/or fittings to create a 90°horizontal Branch from a straight horizontal run.



WIDTH	HEIGHT	MATERIAL
240 mm	100 mm	PVC / ABS



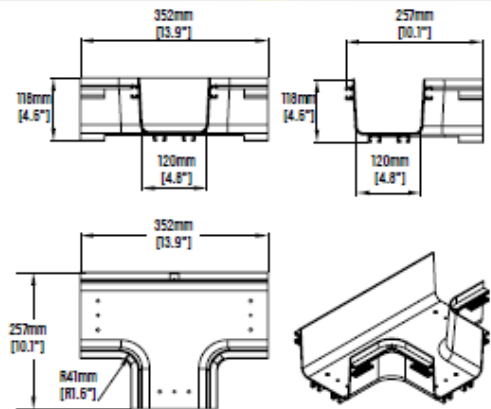
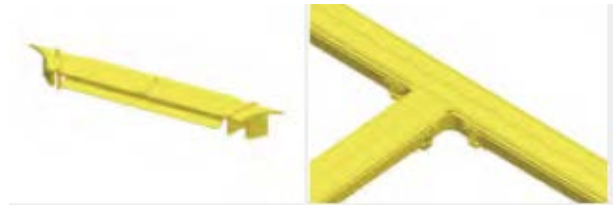
120 HORIZONTAL TEE

120 HORIZONTAL TEE CROSS COVER

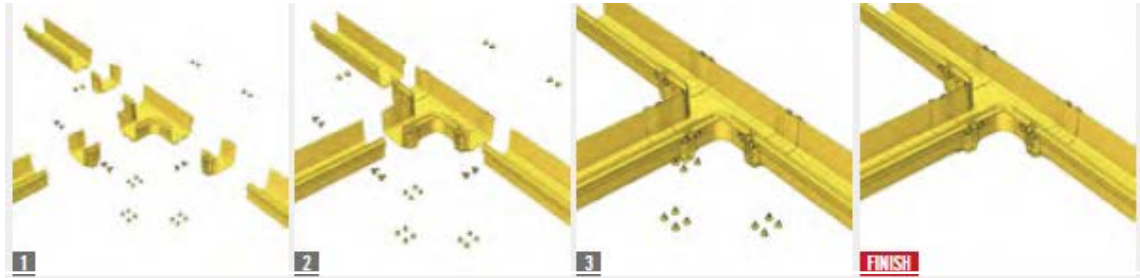
Attaches to channel and/or fittings to create a 90°horizontal Branch from a straight horizontal run.



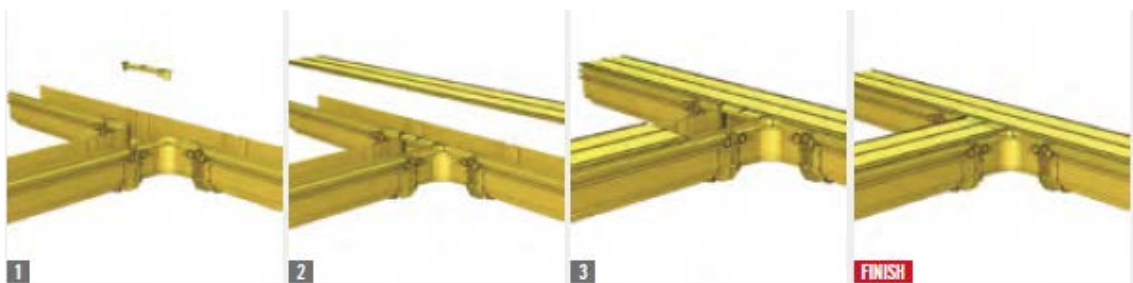
WIDTH	HEIGHT	MATERIAL
120 mm	100 mm	PVC / ABS



360/240/120 HORIZONTAL TEE INSTALLATION



360/240/120 HORIZONTAL TEE COVER INSTALLATION

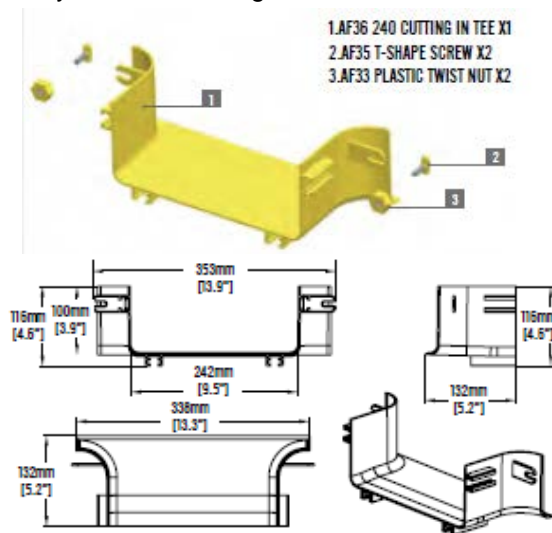


240 CUTTING IN TEE

Attaches to channel to create a 90° horizontal. Elbow from anywhere of a straight horizontal run.

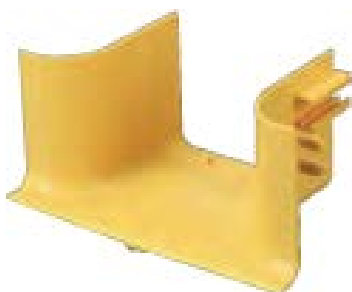


WIDTH	HEIGHT	MATERIAL
240 mm	100 mm	PVC / ABS

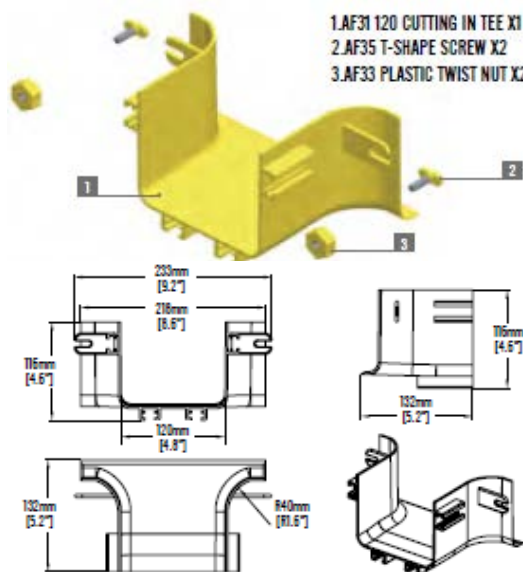


120 CUTTING IN TEE

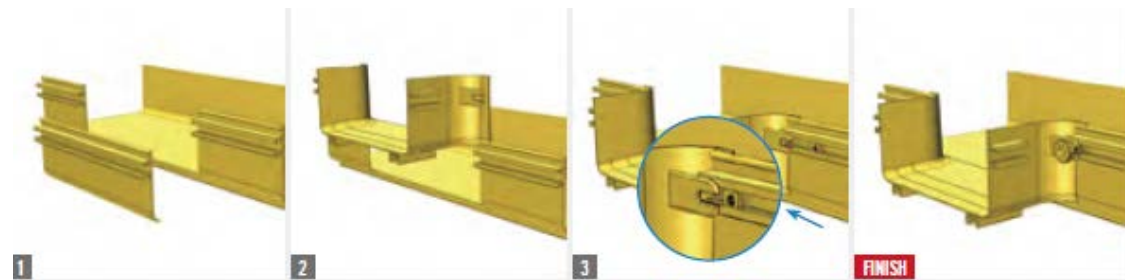
Attaches to channel to create a 90° horizontal. Elbow from anywhere of a straight horizontal run.



WIDTH	HEIGHT	MATERIAL
120 mm	100 mm	PVC / ABS



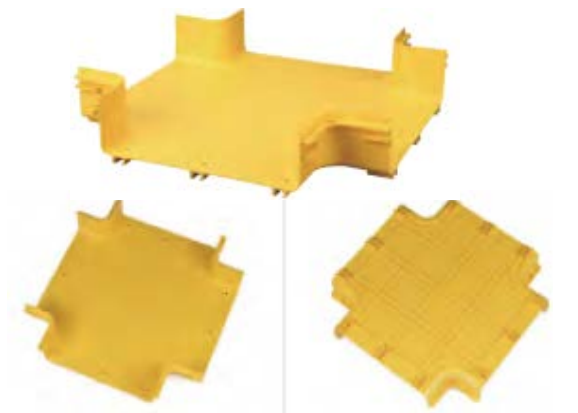
CUTTING IN TEE INSTALLATION



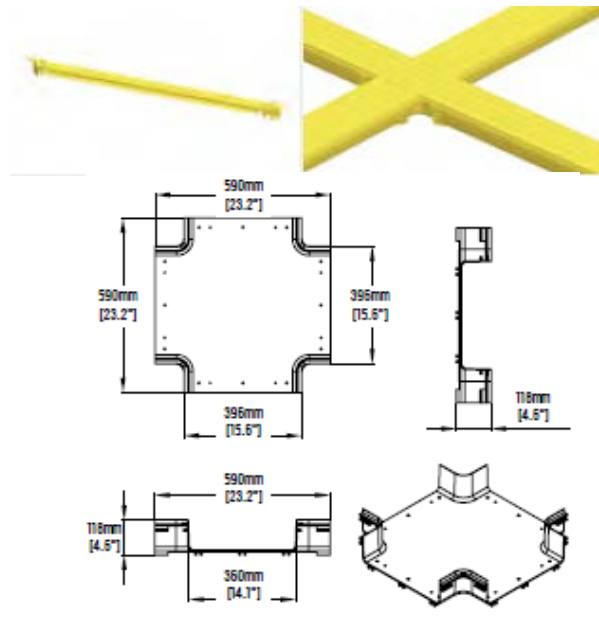
360 HORIZONTAL CROSS

360 HORIZONTAL CROSS COVER

Attaches to channel and/or fittings to create a horizontal. Four way cross intersection with two exits.



WIDTH	HEIGHT	MATERIAL
360 mm	100 mm	PVC / ABS



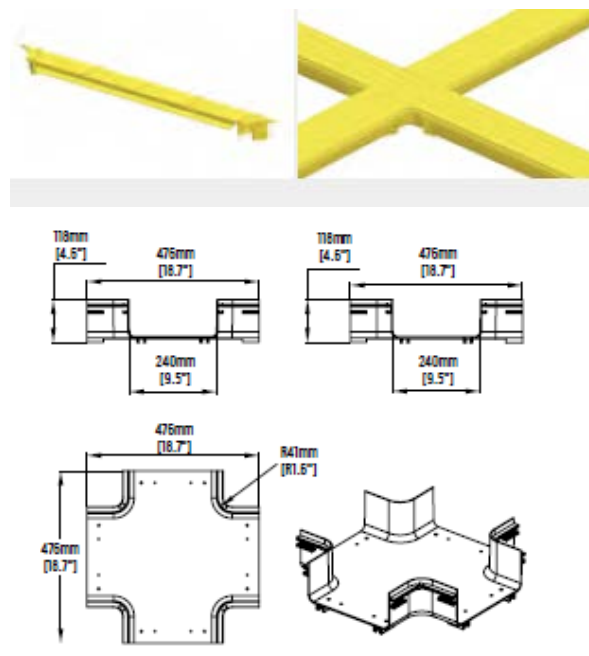
240 HORIZONTAL TEE

240 HORIZONTAL TEE CROSS COVER

Attaches to channel and/or fittings to create a horizontal. Four way cross intersection with two exits.



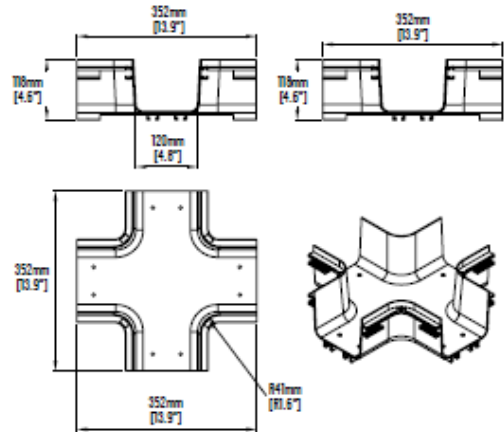
WIDTH	HEIGHT	MATERIAL
240 mm	100 mm	PVC / ABS



120 HORIZONTAL CROSS

120 HORIZONTAL CROSS COVER

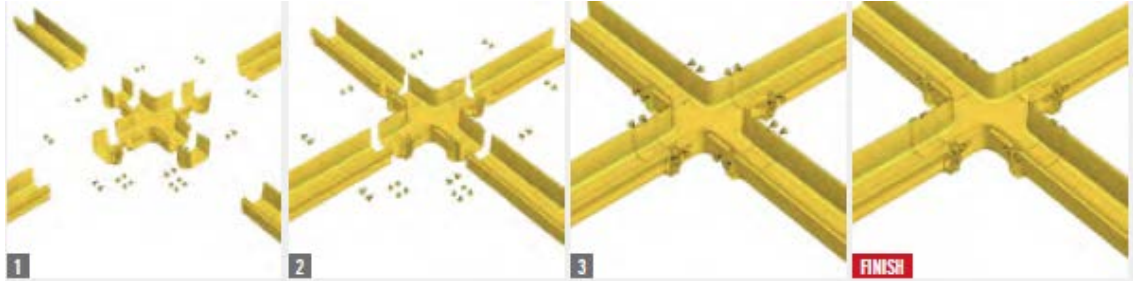
Attaches to channel and/or fittings to create a horizontal. Four way cross intersection with two exits.



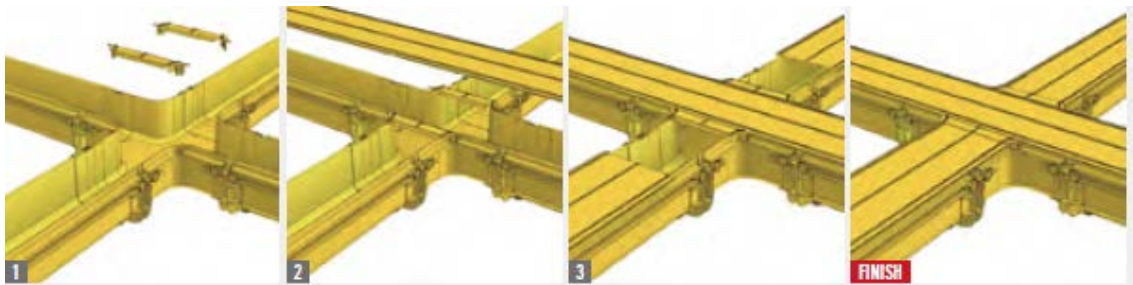
WIDTH	HEIGHT	MATERIAL
120 mm	100 mm	PVC / ABS



360/240/120 HORIZONTAL CROSS INSTALLATION



360/240/120 HORIZONTAL CROSS COVER INSTALLATION



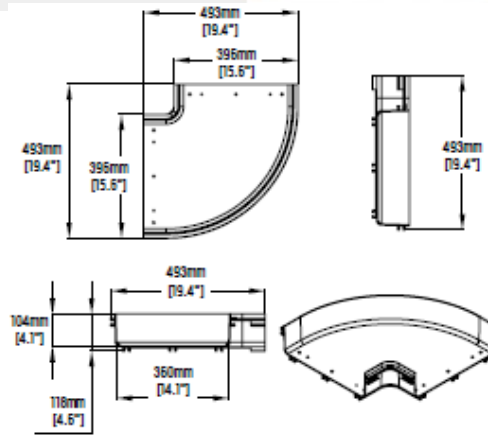
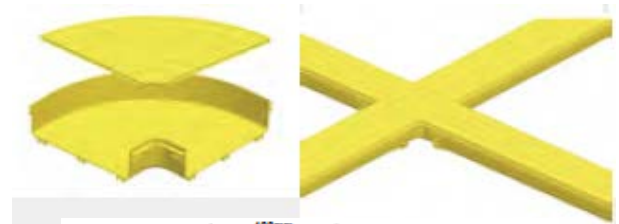
360 HORIZONTAL 90° ELBOW

360 HORIZONTAL 90° ELBOW COVER

Attaches to channel and/or fittings to create a 90° horizontal elbow. From a straight horizontal run.



WIDTH	HEIGHT	MATERIAL
360 mm	100 mm	PVC / ABS



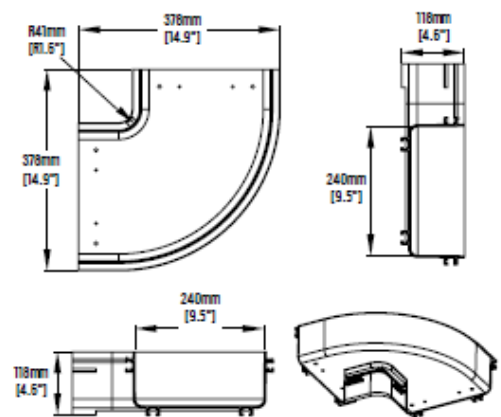
240 HORIZONTAL 90° ELBOW

240 HORIZONTAL 90° ELBOW COVER

Attaches to channel and/or fittings to create a 90° horizontal elbow. From a straight horizontal run.



WIDTH	HEIGHT	MATERIAL
240 mm	100 mm	PVC / ABS



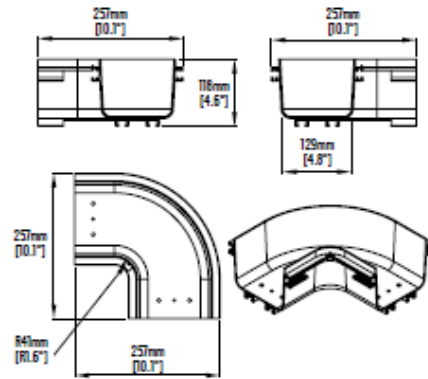
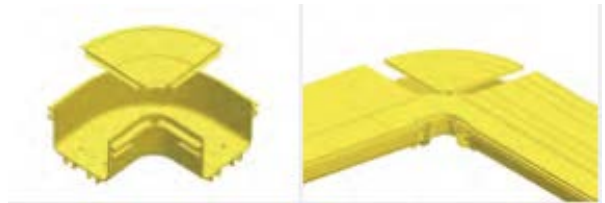
120 HORIZONTAL 90° ELBOW

120 HORIZONTAL 90° ELBOW COVER

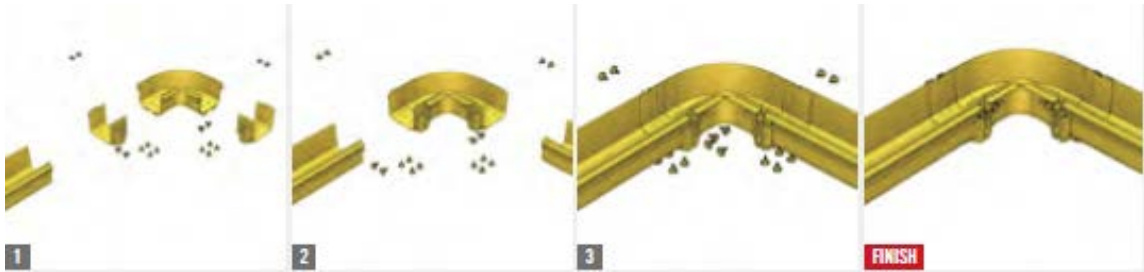
Attaches to channel and/or fittings to create a 90° horizontal elbow. From a straight horizontal run.



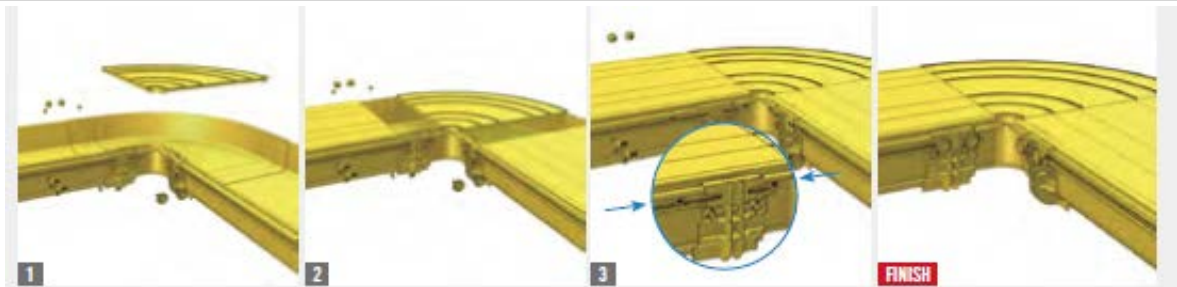
WIDTH	HEIGHT	MATERIAL
120 mm	100 mm	PVC / ABS



360/240/120 HORIZONTAL 90° ELBOW INSTALLATION



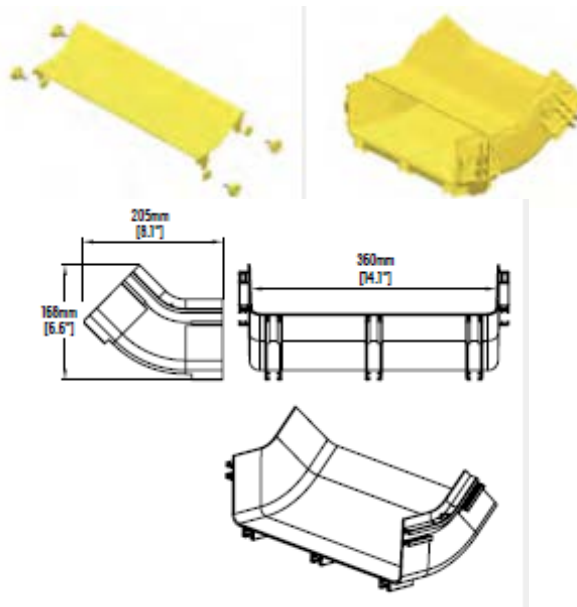
360/240/120 HORIZONTAL 90° ELBOW COVER INSTALLATION



360 45° UP ELBOW

360 45° UP ELBOW COVER

Attaches to channel and/or fitting to create a 45° upward Angle from a straight horizontal run. Used with 45° down elbow. To change level of a horizontal run.

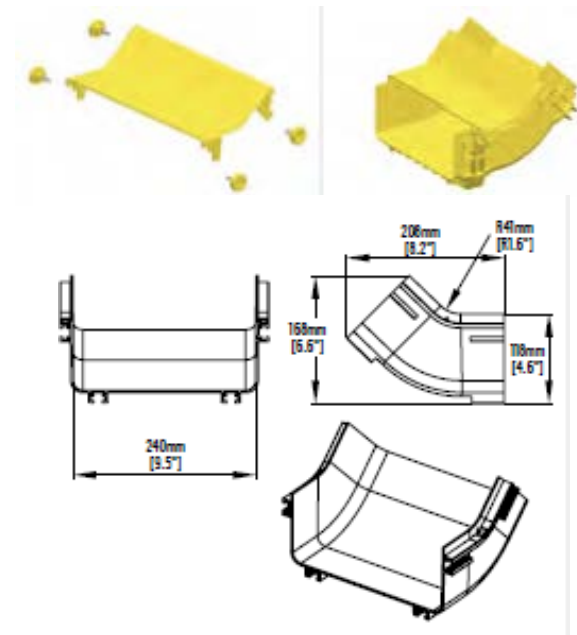


WIDTH	HEIGHT	MATERIAL
360 mm	100 mm	PVC / ABS

240 45° UP ELBOW

240 45° UP ELBOW COVER

Attaches to channel and/or fitting to create a 45° upward Angle from a straight horizontal run. Used with 45° down elbow. To change level of a horizontal run.



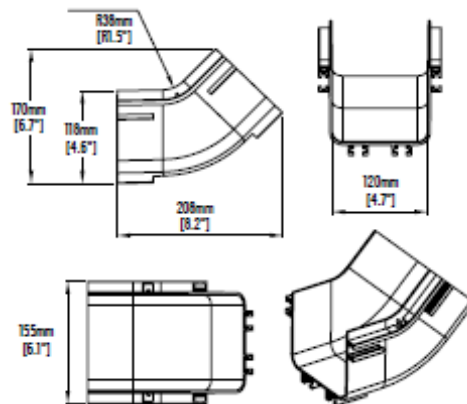
WIDTH	HEIGHT	MATERIAL
240 mm	100 mm	PVC / ABS



120 45° UP ELBOW

120 45° UP ELBOW COVER

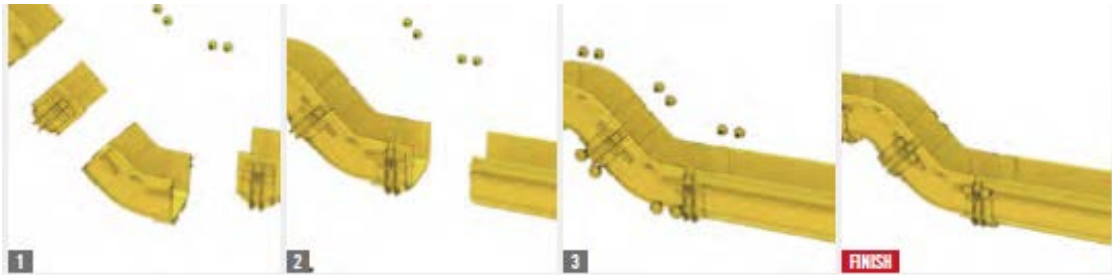
Attaches to channel and/or fitting to create a 45° upward Angle from a straight horizontal run. Used with 45° down elbow. To change level of a horizontal run.



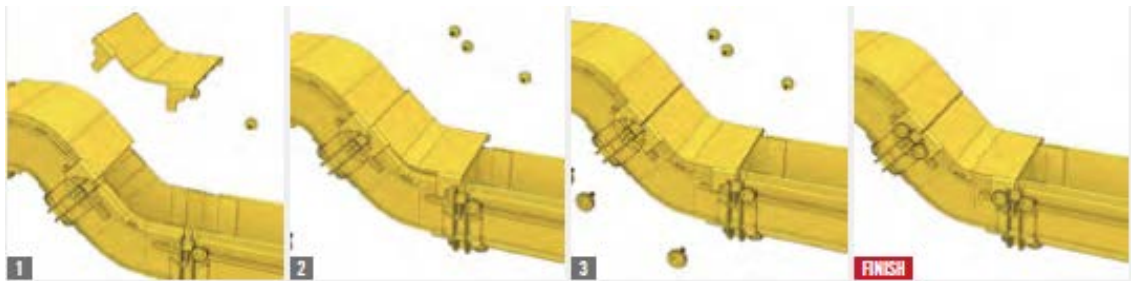
WIDTH	HEIGHT	MATERIAL
120 mm	100 mm	PVC / ABS



360/240/120 45° UP ELBOW INSTALLATION



360/240/120 45° UP ELBOW COVER INSTALLATION



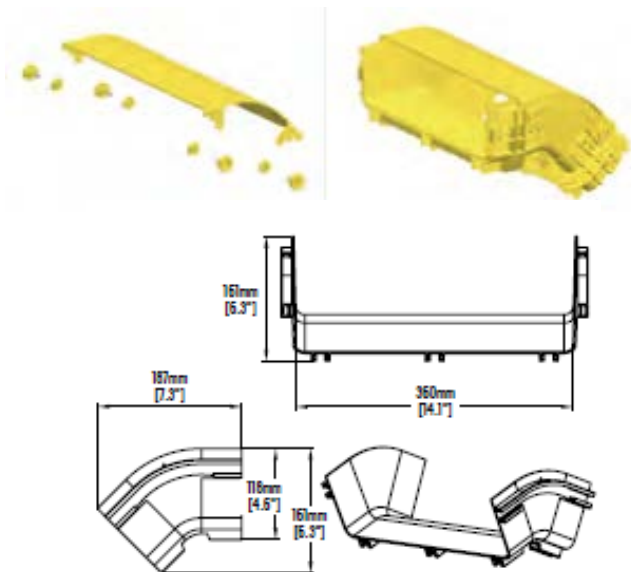
360 45° DOWN ELBOW

360 45° DOWN COVER

Attaches to channel and/or fitting to create a 45° downward angle from A. Straight horizontal run. Used with 45° up elbow to change level of a horizontal run.



WIDTH	HEIGHT	MATERIAL
360 mm	100 mm	PVC / ABS



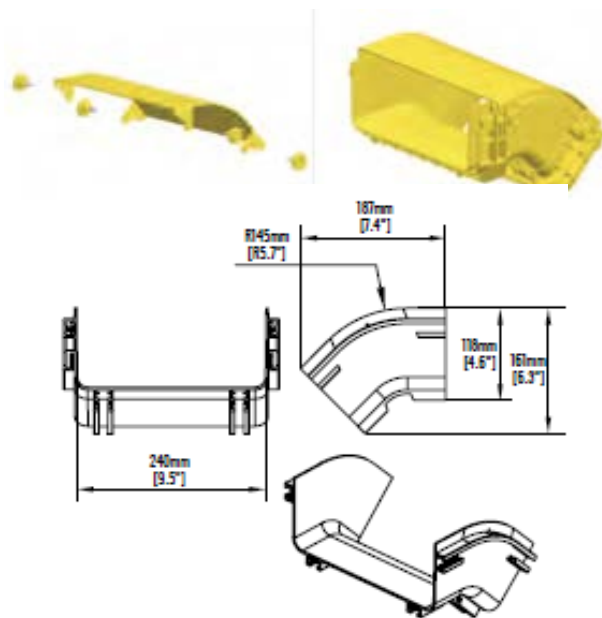
240 45° DOWN ELBOW

240 45° DOWN ELBOW COVER

Attaches to channel and/or fitting to create a 45° downward angle from A. Straight horizontal run. Used with 45° up elbow to change level of a horizontal run.



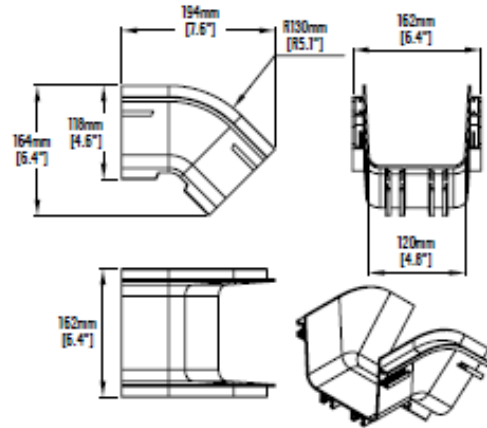
WIDTH	HEIGHT	MATERIAL
240 mm	100 mm	PVC / ABS



120 45° DOWN ELBOW

120 45° DOWN COVER

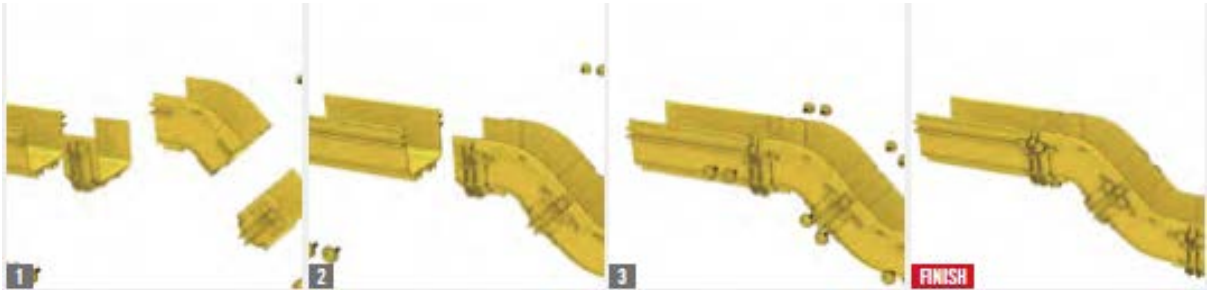
Attaches to channel and/or fitting to create a 45° downward angle from A. Straight horizontal run. Used with 45° up elbow to change level of a horizontal run.



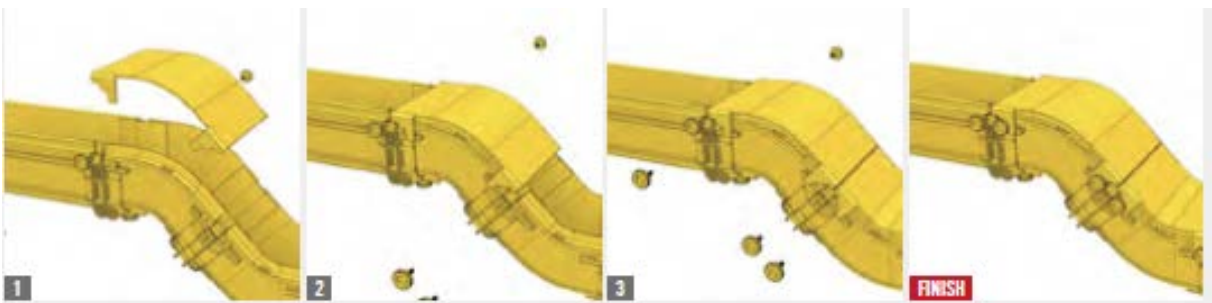
WIDTH	HEIGHT	MATERIAL
120 mm	100 mm	PVC / ABS



360/240/120 45° DOWN ELBOW INSTALLATION



360/240/120 45° DOWN ELBOW COVER INSTALLATION



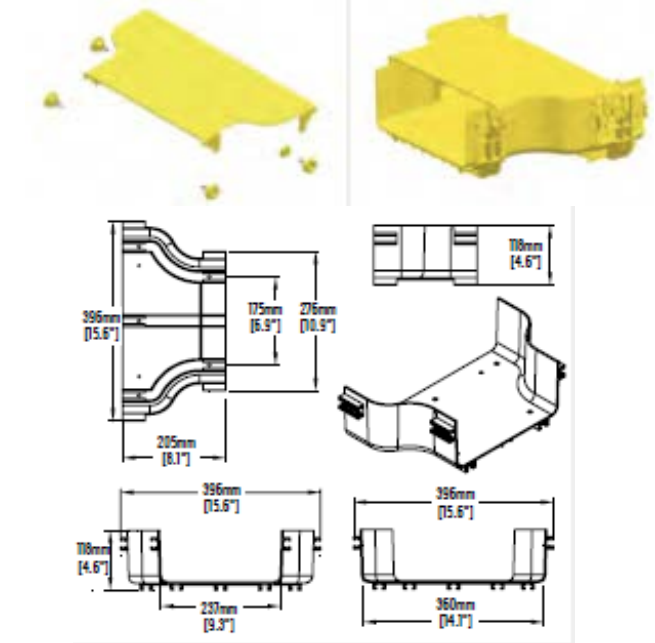
360 TO 240 ADAPTER

Attaches any fitting or channel to any fitting or channel.



WIDTH	HEIGHT	MATERIAL
360 mm	100 mm	PVC / ABS

360 TO 240 ADAPTER COVER



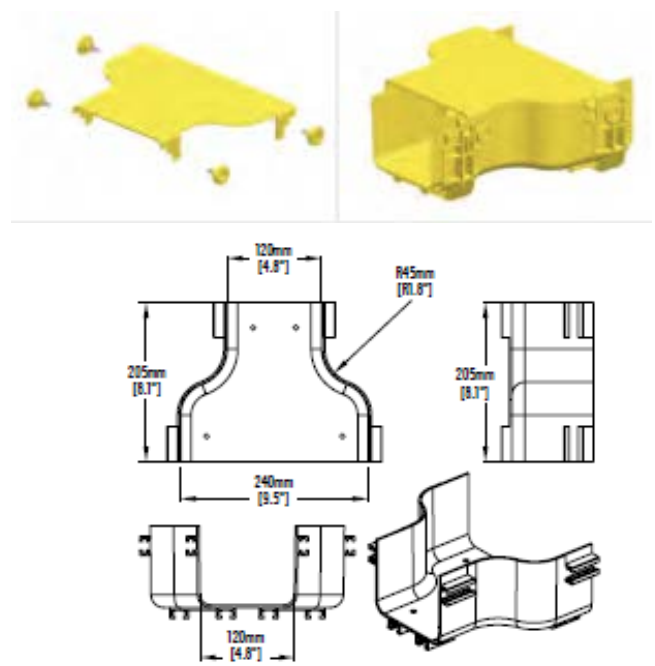
240 TO 120 ADAPTER

Attaches any fitting or channel to any fitting or channel.



WIDTH	HEIGHT	MATERIAL
240 mm	100 mm	PVC / ABS

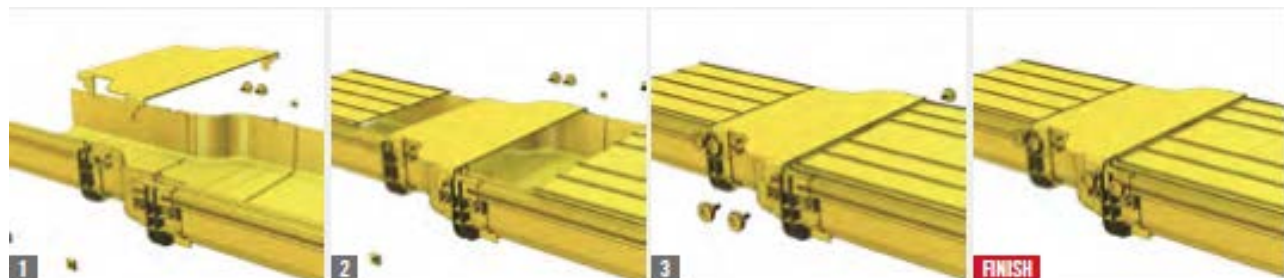
240 TO 120 ADAPTER COVER



360 TO 240 ADAPTER AND 240 TO 120 ADAPTER INSTALLATION



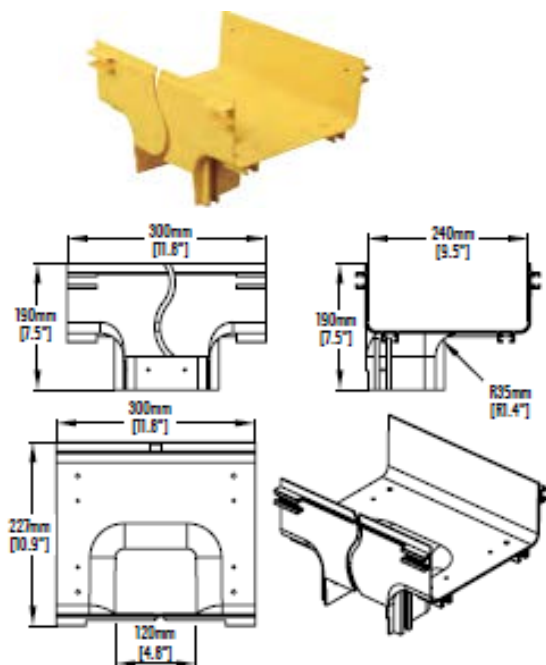
360 TO 240 ADAPTER AND 240 TO 120 ADAPTER COVER INSTALLATION



240 TO 120 VERTICAL TEE

240 TO 120 VERTICAL TEE INSTALLATION

Attaches any 4"x10" fitting or channel to any 4"x5" fitting or channel.



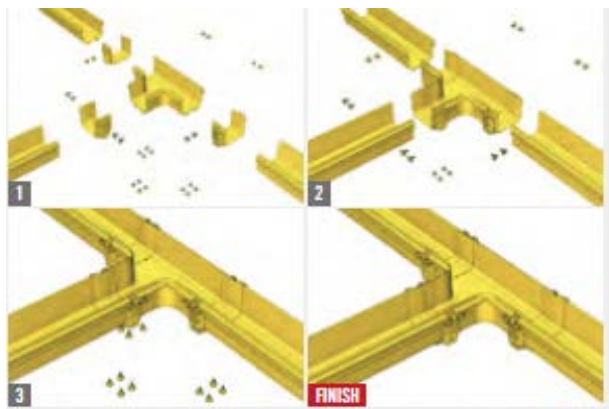
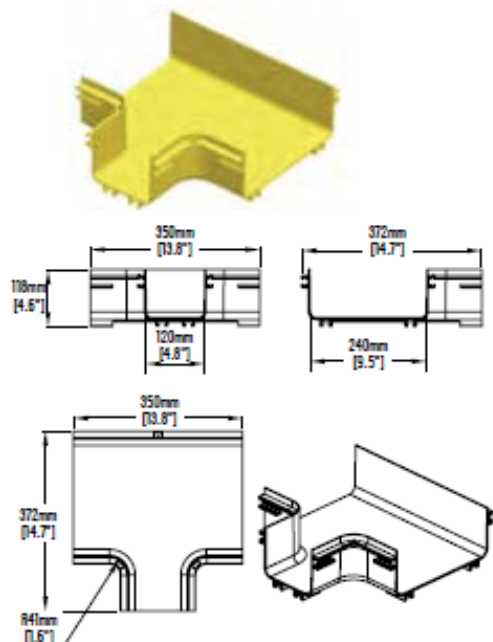
WIDTH	HEIGHT	MATERIAL
240 mm	100 mm	PVC / ABS



240 TO 120 HORIZONTAL ADAPTER

240 TO 120 HORIZONTAL ADAPTER INSTALLATION

Attaches to 4channel and/or fittings to create a 90° horizontal. Branch with a exit from straight horizontal run.

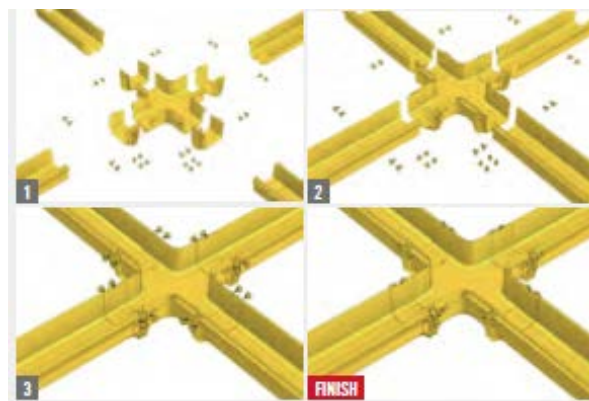
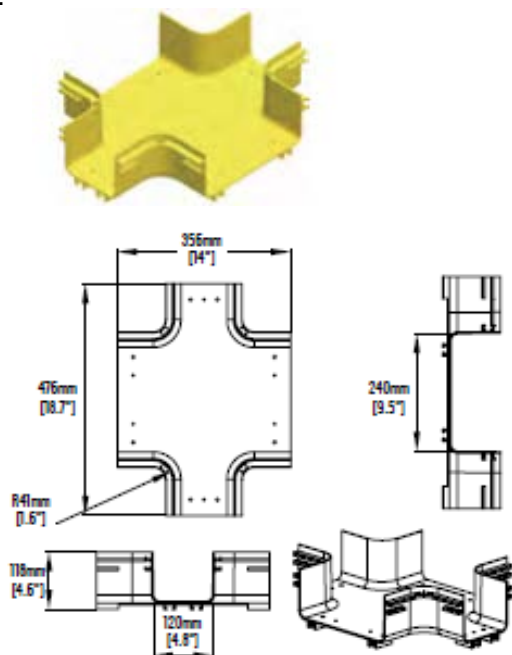


WIDTH	HEIGHT	MATERIAL
240 mm	100 mm	PVC / ABS

240 TO 120 HORIZONTAL CROSS

240 TO 120 HORIZONTAL CROSS INSTALLATION

Attaches to 4"x10" channel and/or fittings to create a 90° horizontal. Branch with a exit from straight horizontal run.

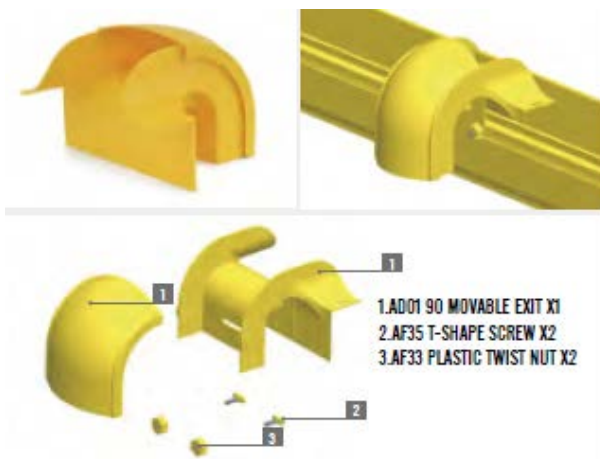
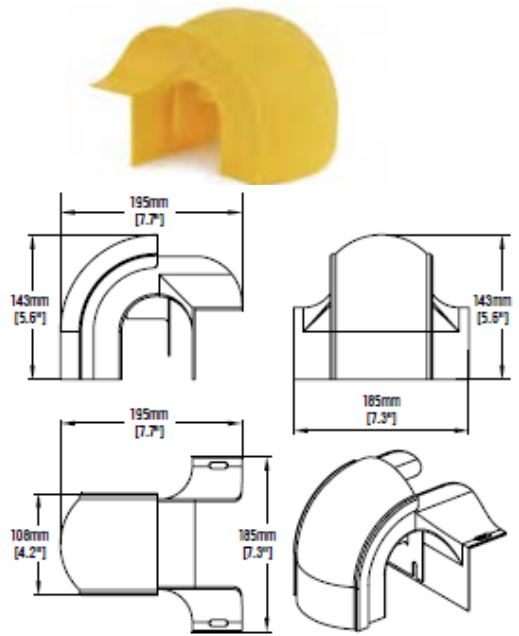


WIDTH	HEIGHT	MATERIAL
240 mm	100 mm	PVC / ABS



90 MOVABLE EXIT W/O CORRUGATED PIPE KIT

Assembles onto 4"x5", 4"x10", 4"x15" channel, spilling over. The side into a 90mm movable exit without corrugated pipe.

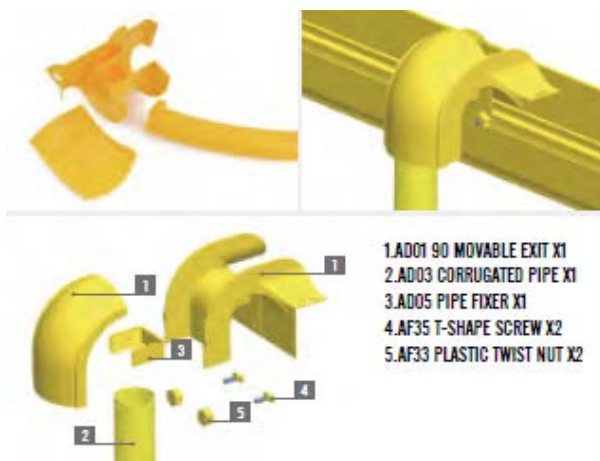
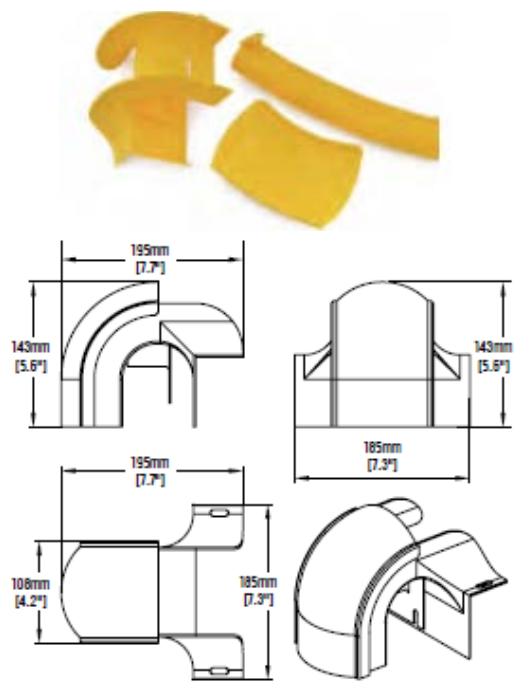


- 1.AD01 90 MOVABLE EXIT X1
- 2.AF35 T-SHAPE SCREW X2
- 3.AF33 PLASTIC TWIST NUT X2

WIDTH	HEIGHT	MATERIAL
90 mm	143 mm	PVC / ABS

90 MOVABLE EXIT WITH CORRUGATED PIPE KIT

Assembles onto 4"x5", 4"x10", 4"x15" channel, spilling over. The side into a 90mm movable exit without corrugated pipe.



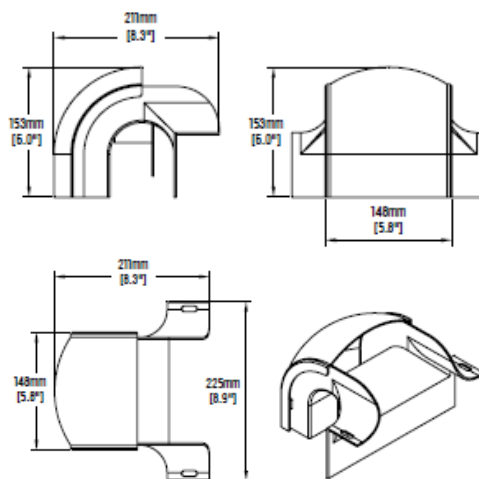
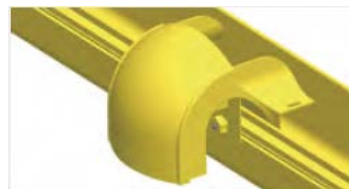
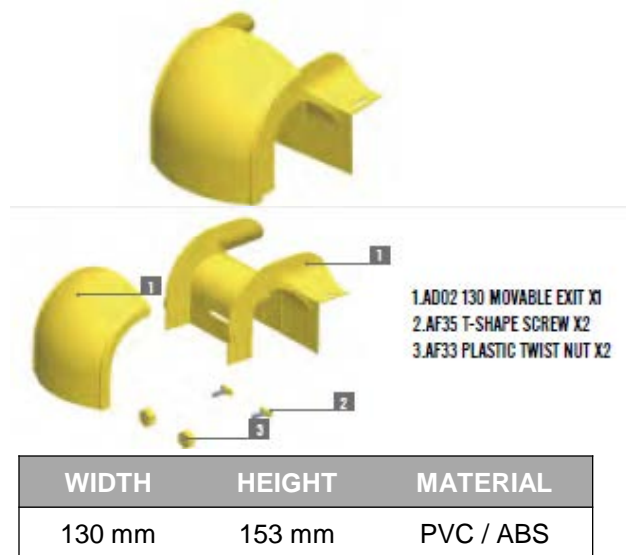
- 1.AD01 90 MOVABLE EXIT X1
- 2.AD03 CORRUGATED PIPE X1
- 3.AD05 PIPE FIXER X1
- 4.AF35 T-SHAPE SCREW X2
- 5.AF33 PLASTIC TWIST NUT X2

WIDTH	HEIGHT	MATERIAL
90 mm	143 mm	PVC / ABS

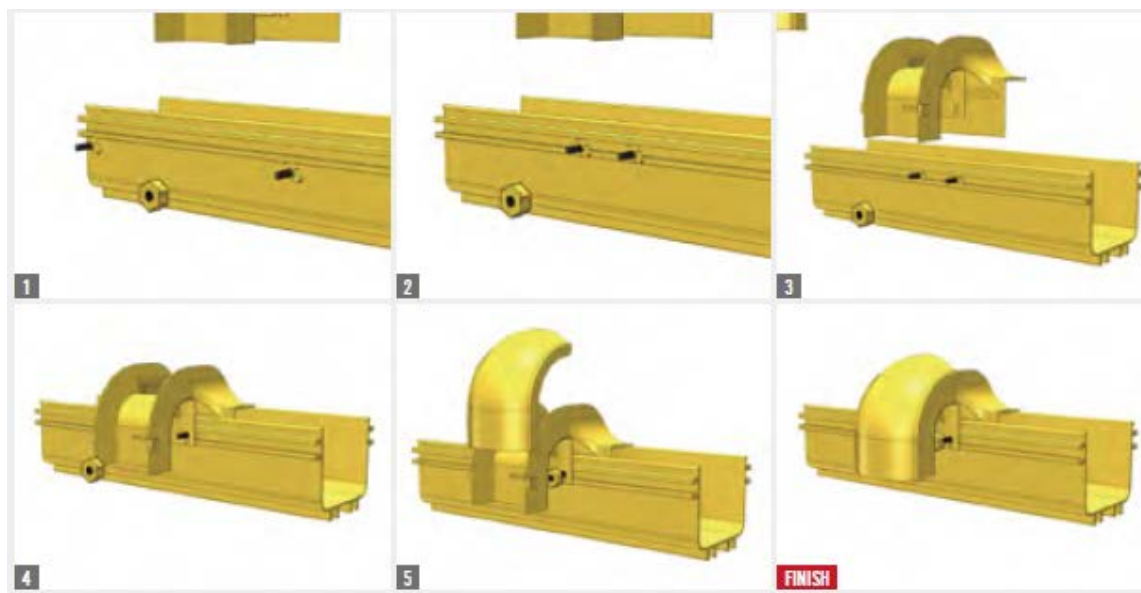


130 MOVABLE EXIT KIT

Assembles onto 4"x5", 4"x10", 4"x15" channel, spilling over. The side into a 130mm movable exit without corrugated pipe.

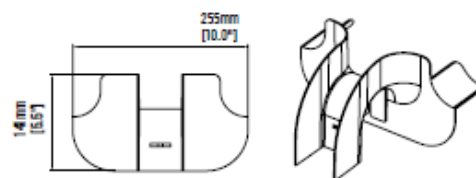
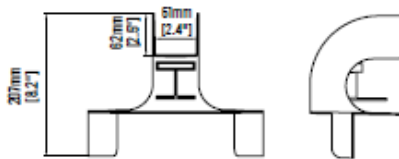


MOVABLE EXIT KIT INSTALLATION



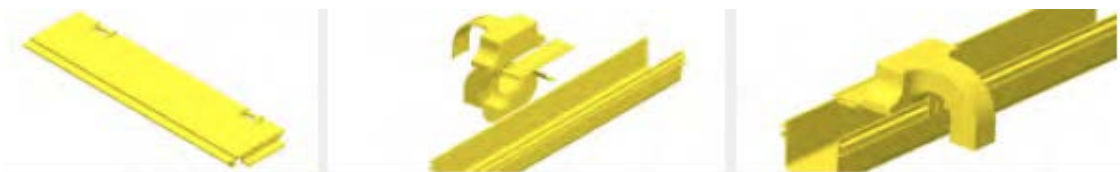
60 MOVABLE EXIT KIT

Assembles onto 4"x5", 4"x10", 4"x15" channel, spilling over. The side into a 130mm movable exit without corrugated pipe.

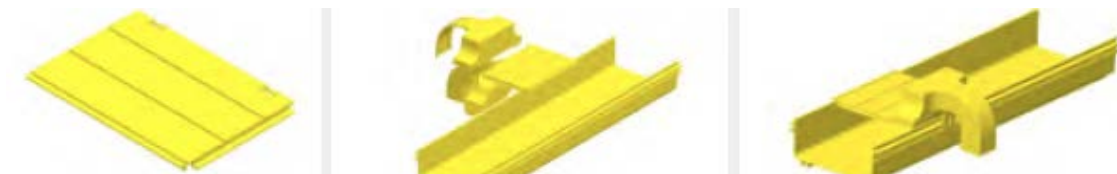


WIDTH	HEIGHT	MATERIAL
- - mm	200 mm	PVC / ABS

120 TO 60 MOVABLE EXIT KIT



120 TO 60 MOVABLE EXIT KIT

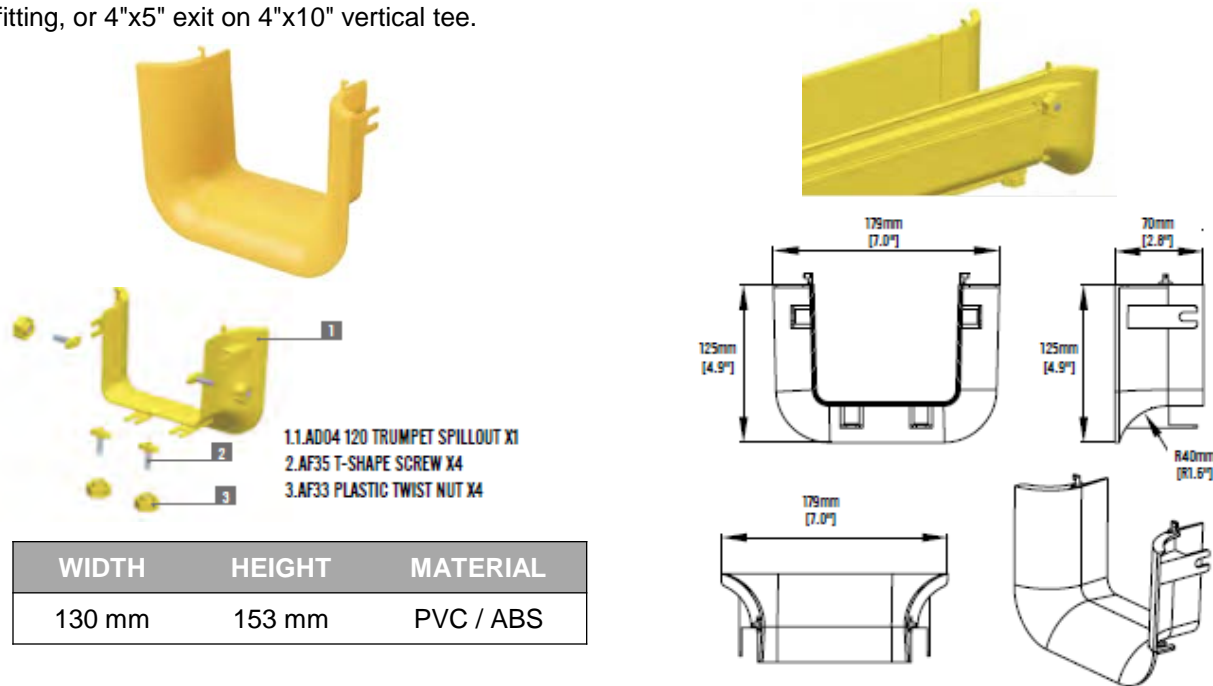


60 MOVABLE EXIT KIT INSTALLATION



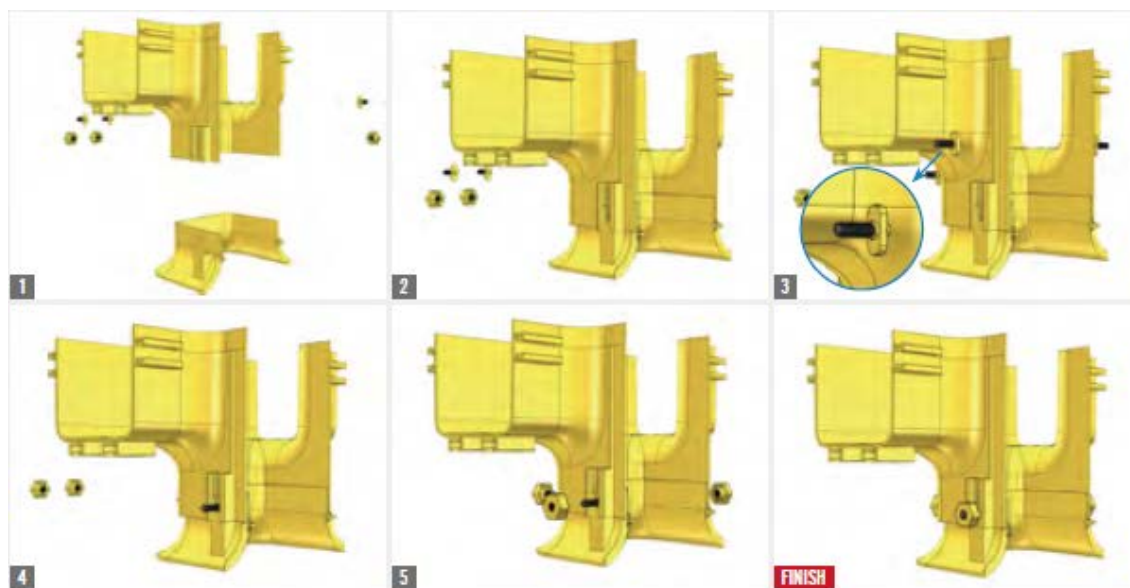
120 TRUMPET SPILLOUT KIT

Used to limit the bend radius of the cable to 2" (50.8mm) when exiting from 4"x5" Channel, 4"x5" horizontal tee fitting, or 4"x5" exit on 4"x10" vertical tee.



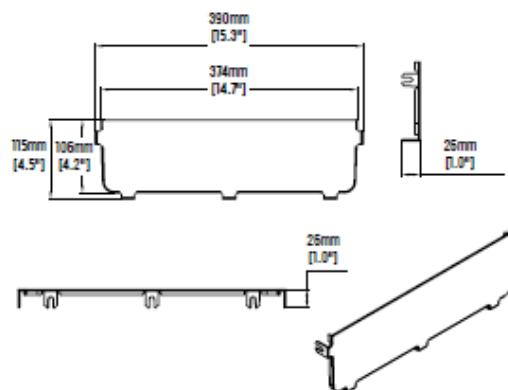
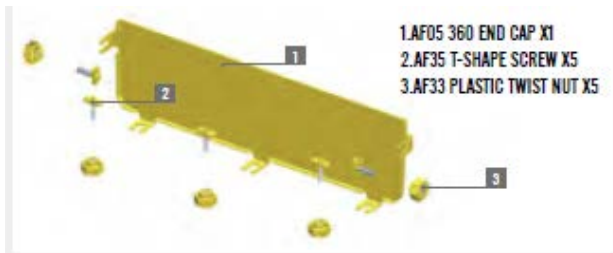
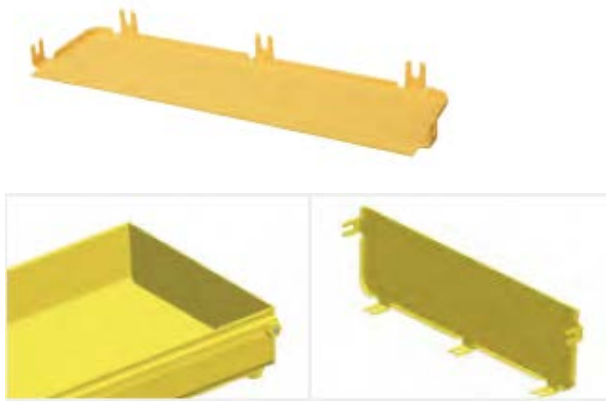
WIDTH	HEIGHT	MATERIAL
130 mm	153 mm	PVC / ABS

120 TRUMPET SPILLOUT KIT INSTALLATION



360 END CAP KIT

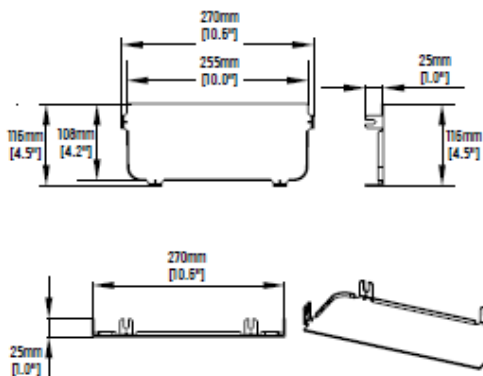
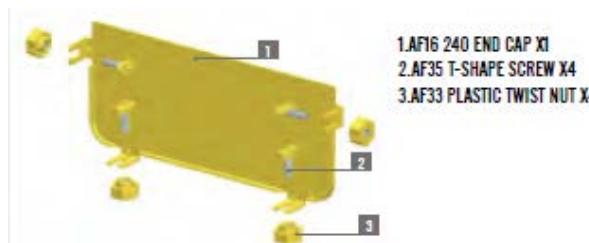
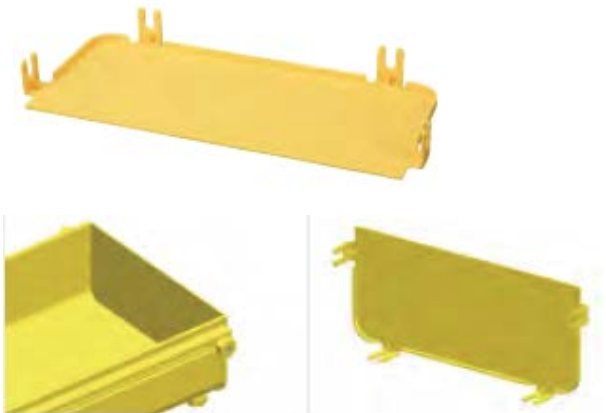
Used for closing off open ends of the channel or fittings.



WIDTH	HEIGHT	MATERIAL
360 mm	100 mm	PVC / ABS

240 END CAP KIT

Used for closing off open ends of the channel or fittings.

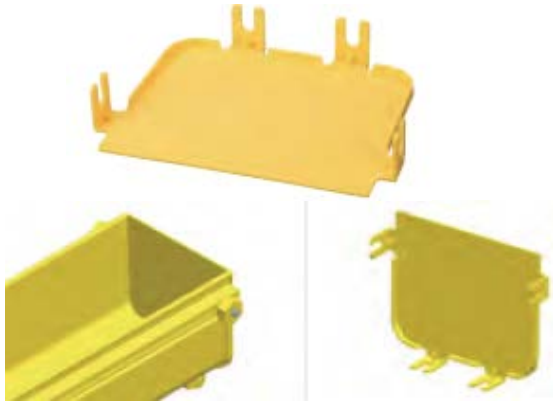


WIDTH	HEIGHT	MATERIAL
240 mm	100 mm	PVC / ABS

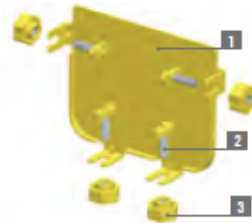


120 END CAP KIT

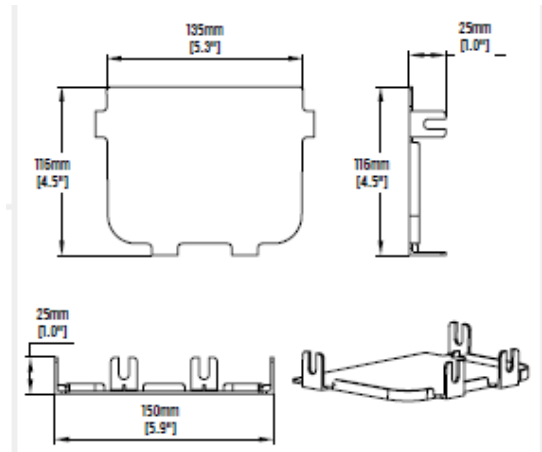
Used for closing off open ends of the channel or fittings.



WIDTH	HEIGHT	MATERIAL
120 mm	100 mm	PVC / ABS



- 1.AF26 120 END CAP X1
- 2.AF35 T-SHAPE SCREW X4
- 3.AF33 PLASTIC TWIST NUT X4



END CAP

360/240/120 END CAP KIT INSTALLATION

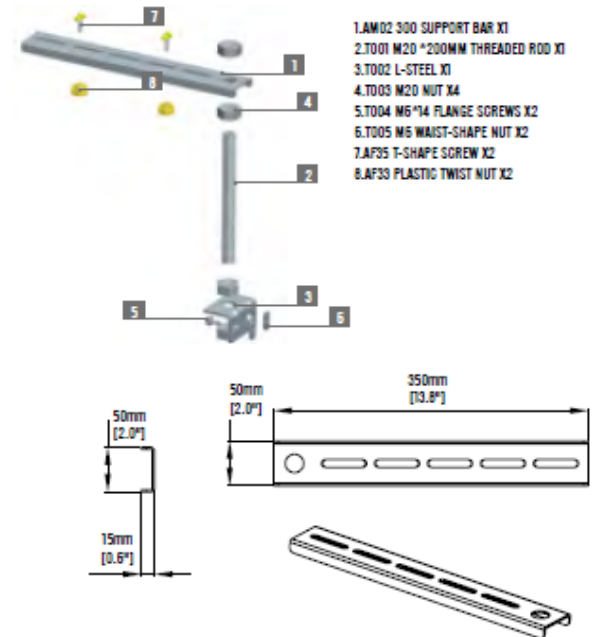


60 END CAP KIT INSTALLATION



300-1 LADDER RACK SUPPORT KIT

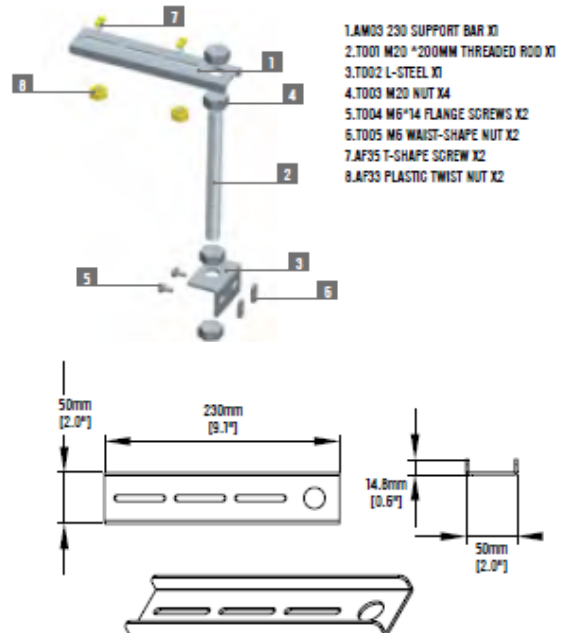
Used to support the 4"x10" system by spanning two existing threaded rod drops. Can be installed from above or below.



LENGTH	HEIGHT	MATERIAL
350 mm	50 mm	STEEL

230-1 LADDER RACK SUPPORT KIT

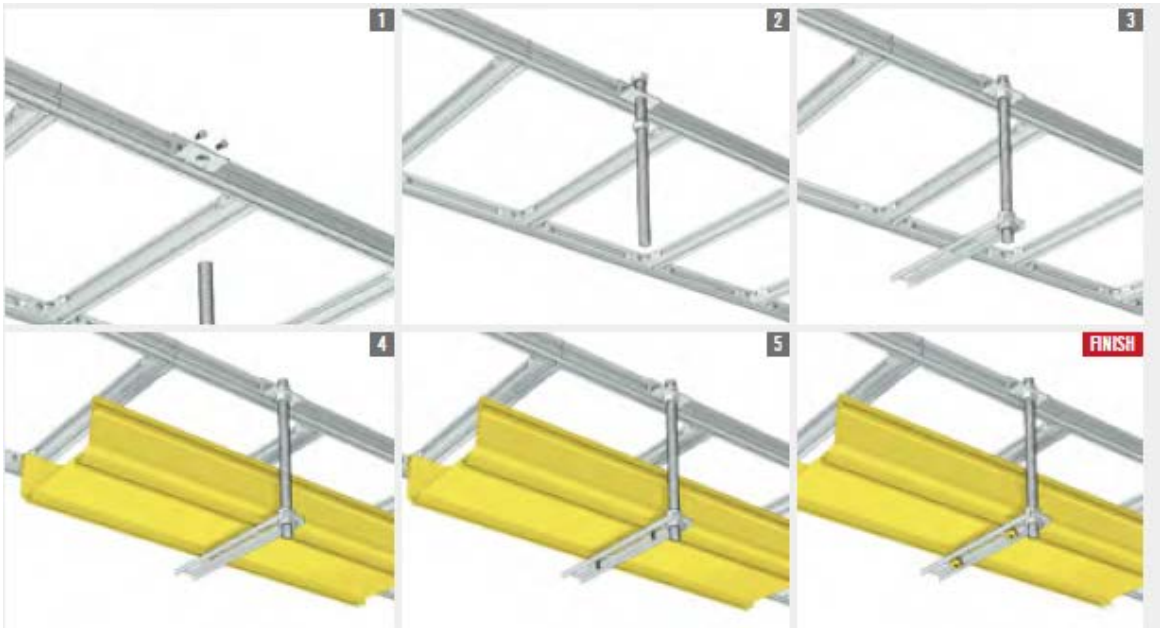
Used to support the 4"x5" system by spanning two existing threaded rod drops. Can be installed from above or below.



LENGTH	HEIGHT	MATERIAL
230 mm	50 mm	STEEL

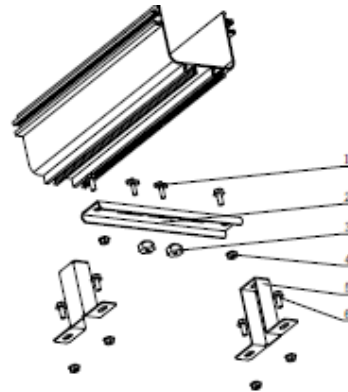
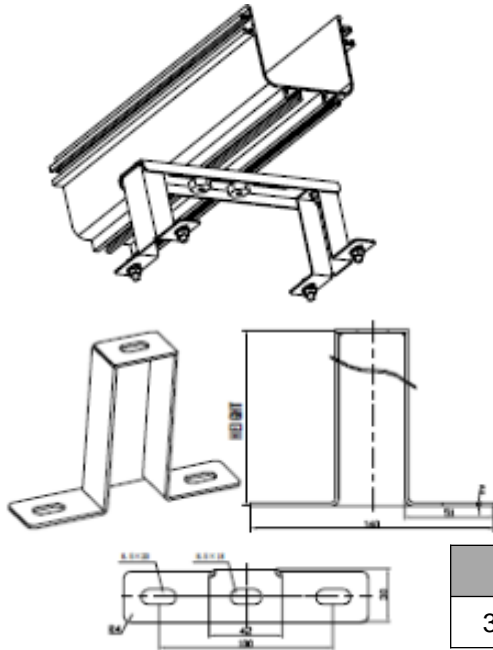


LADDER RACK SUPPORT KIT INSTALLATION



FIXED CABINET TOP SUPPORT KIT

Applying to support the fiber channel on the top of cabinets, Stand's height is optional.

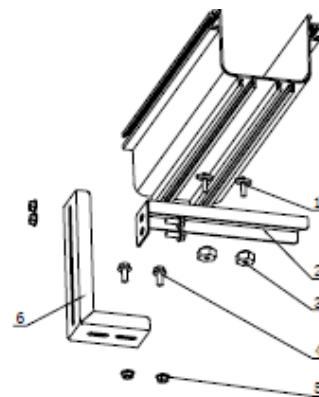
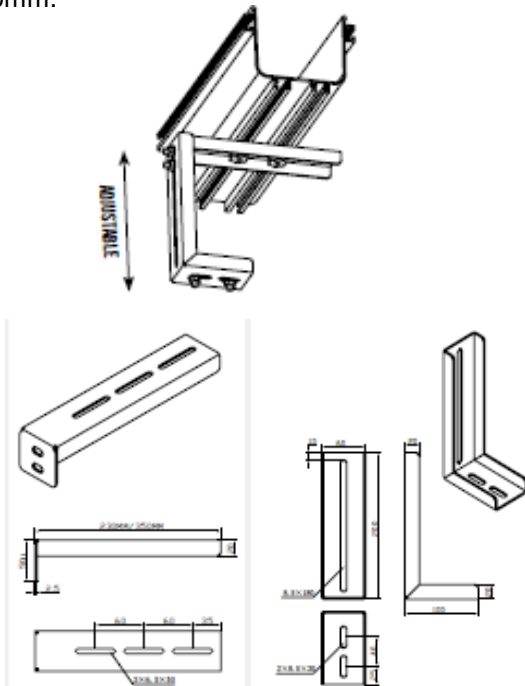


1. AF35 T-SHAPE SCREW X2
2. SUPPORT BAR X1
3. AF33 PLASTIC TWIST NUT X2
4. T006 M6 FLANGE NUT X6
5. T007 T TYPE CABINET TOP STAND X2
6. T008 M6 FLANGE BOLT X6

LENGTH	HEIGHT	MATERIAL
300/400/500 mm	50/100/150/200/250 mm	STEEL

ADJUSTABLE CABINET TOP SUPPORT KIT

Applying to support the fiber channel on the top of the cabinet, Stand's height is adjustable from 50mm to 200mm.



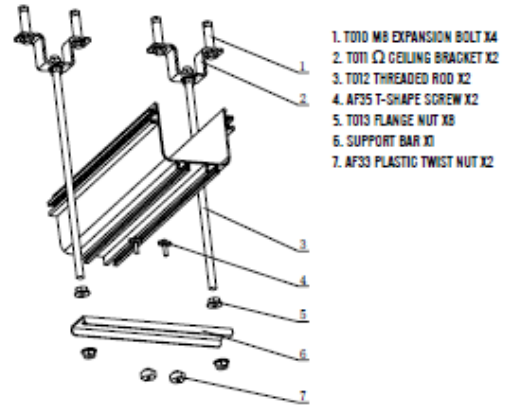
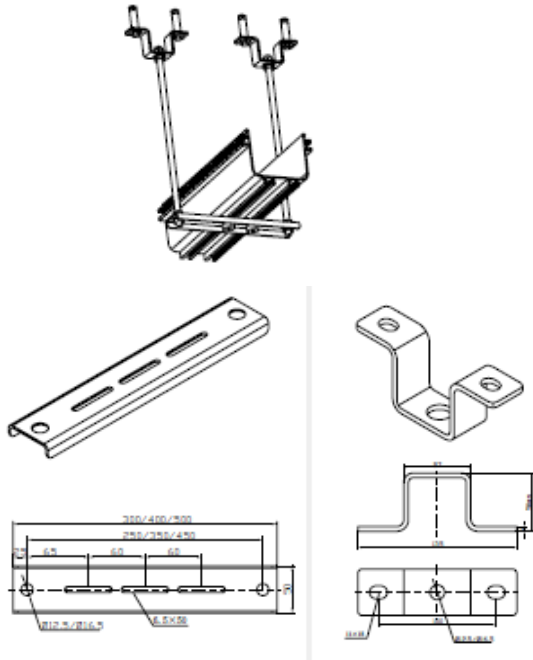
1. AF35 T-SHAPE SCREW X2
2. AM04 SUPPORT BAR X1
3. AF33 PLASTIC TWIST NUT X2
4. T008 M6 FLANGE BOLT X4
5. T006 M6 FLANGE NUT X4
6. T009 ADJUSTABLE CABINET TOP STAND X1

LENGTH	HEIGHT	MATERIAL
230/350 mm	200 mm	STEEL



TRAPEZE SUPPORT KIT

Applying to support the fiber channel from the ceiling.

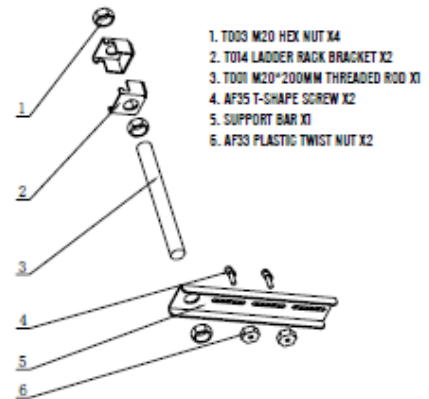
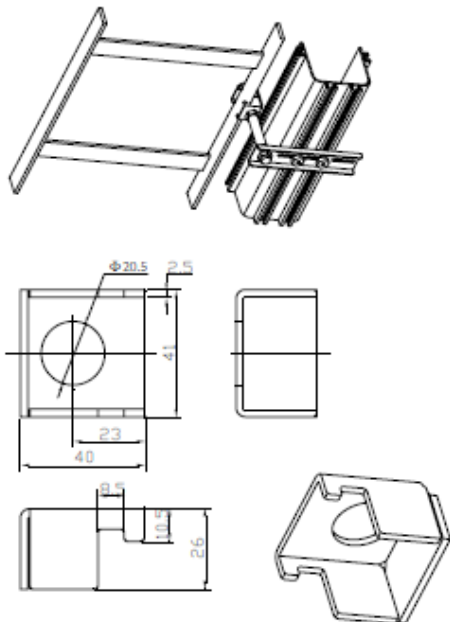


- 1. T010 M8 EXPANSION BOLT X4
- 2. T011 L2 CEILING BRACKET X2
- 3. T012 THREADED ROD X2
- 4. AF35 T-SHAPE SCREW X2
- 5. T013 FLANGE NUT X8
- 6. SUPPORT BAR X1
- 7. AF33 PLASTIC TWIST NUT X2

LENGTH	HEIGHT	MATERIAL
300/400/500 mm	50 mm	STEEL

ADJUSTABLE CABINET TOP SUPPORT KIT

Applying to support the fiber channel along side the flat steel ladder rack, Flexible and sturdy.



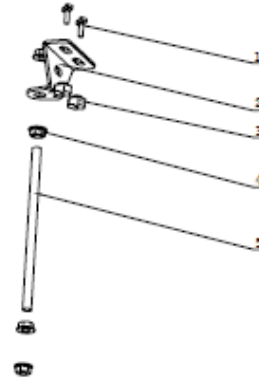
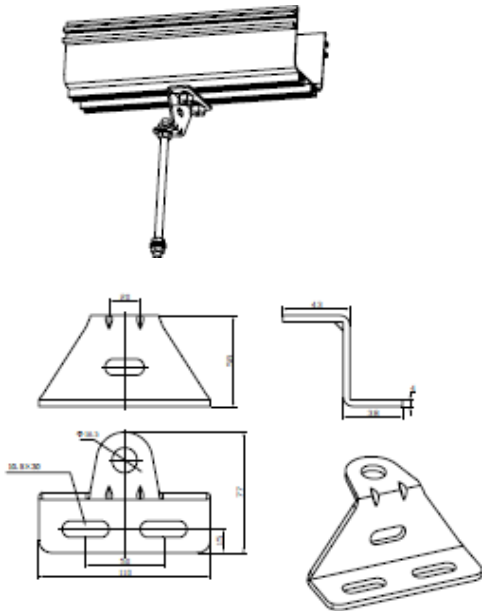
- 1. T003 M20 HEX NUT X4
- 2. T014 LADDER RACK BRACKET X2
- 3. T001 M20*200MM THREADED ROD X1
- 4. AF35 T-SHAPE SCREW X2
- 5. SUPPORT BAR X1
- 6. AF33 PLASTIC TWIST NUT X2

LENGTH	HEIGHT	MATERIAL
230/350 mm	50 mm	STEEL



TOP OF RACK/CABINET SUPPORT

Applying to support the fiber channel at the top of rack/cabinet or other objects, Flexible, simple and sturdy.

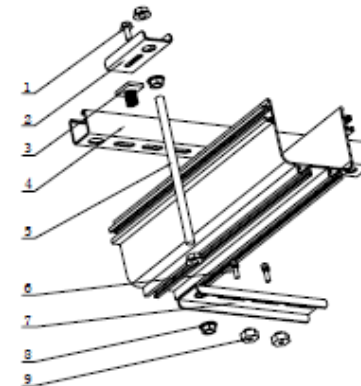
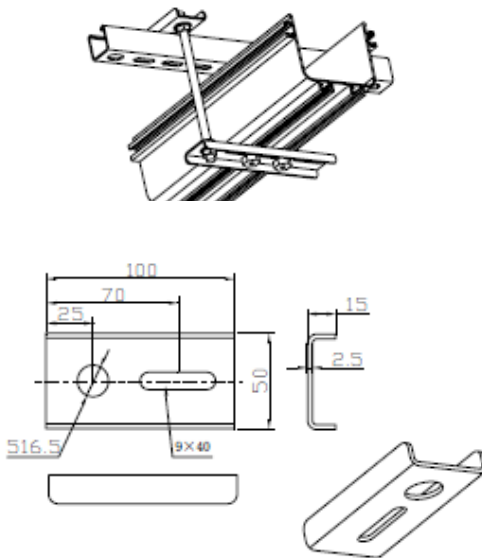


1. AF35 T-SHAPE SCREW X2
2. T015 Z TYPE CENTER SUPPORT BRACKET X1
3. AF33 PLASTIC TWIST NUT X2
4. T013 FLANGE NUT X4
5. T012 THREADED ROD X1

LENGTH	HEIGHT	MATERIAL
110 mm	58 mm	STEEL

UNISTRUT SUPPORT

Applying to support the fiber channel from c channel bar



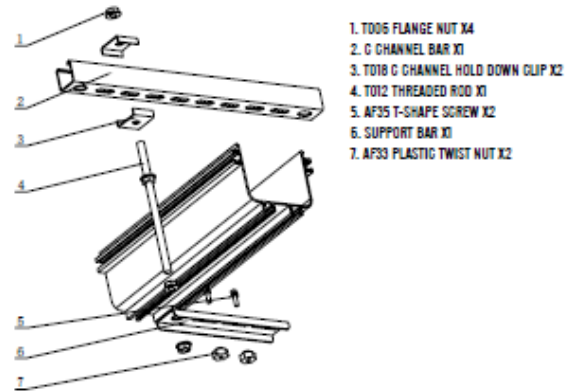
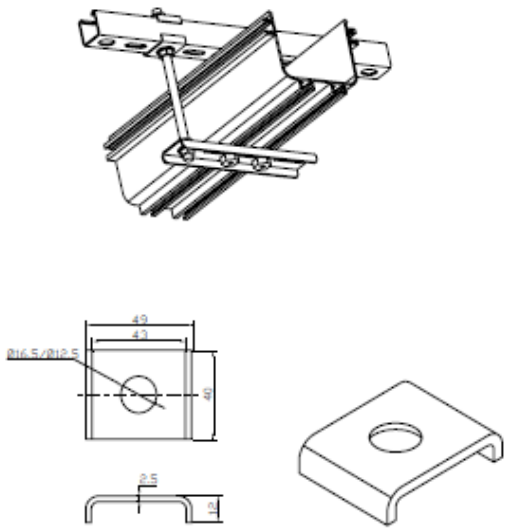
1. T008 M8 FLANGE BOLT X1
2. T017 C CHANNEL HOLD DOWN CLIP X1
3. T016 SPRING NUT X1
4. C CHANNEL BAR X1
5. T012 THREADED ROD X1
6. AF35 T-SHAPE SCREW X2
7. SUPPORT BAR X1
8. T006 FLANGE NUT X4
9. AF33 PLASTIC TWIST NUT X2

LENGTH	HEIGHT	MATERIAL
230/350 mm	50 mm	STEEL



UNISTRUT SUPPORT

Applying to support the Fiber Channel from C channel bar, simply design and easy for amounting.



LENGTH	HEIGHT	MATERIAL
230/350 mm	50 mm	STEEL

