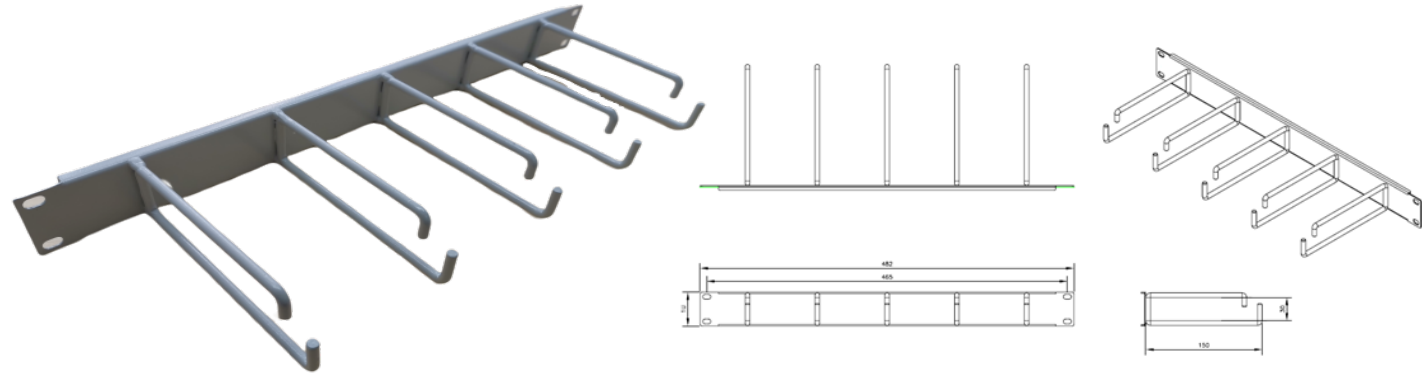


CABLE MANAGEMENT

HORIZONTAL JUMPER RING CABLE MANAGER



INTRODUCTION

The horizontal jumper ring cable manager is used to protect and manage large amount of IT networking and AV cable or a bundle of cable (such as, copper or fiber cables).

Horizontal jumper ring cable manager also allows flexible cable management which makes easy access to cables for moves, adds and changes in order to achieve a decent patching environment for the whole structural cabling system.

The cable manager is available in 1U or 2U height and made of metal material.

FEATURES

- Option 1U or 2U height
- For standard 19" cabinet and racks
- Material as metal
- 150mm depth for large amount of cable

ORDERING PART NUMBER

Example: 1U-HJR-150 = 1U 19' Horizontal Jumper Ring Cable Manager 150mm deep

Character	A	B	H	J	R	-	1	5	0
Example	1	U	H	J	R	-	1	5	0

AB - HEIGHT (U)

1U = 1U
 2U = 2U

The information and specification in this document are subjected to change without notice

