

PHILIPS

UV-C disinfection
mini chamber



UV-C disinfection mini chamber

UV-C disinfection mini chamber UVCC090 for professional use

Philips UV-C disinfection mini chamber provides the perfect solution to disinfect the surfaces of small belongings, shared devices or objects touched by numerous people, such as a mouse, keyboard, headsets and remote controls. Simply place items into the mini chamber, set the timer for exposing the items to UV-C light with the recommended disinfection scheme. The UV-C disinfection mini chamber can be placed into many different areas, due to its light weight. With the design and its portable size the UV-C disinfection mini chamber is a unique disinfecting solution to offer additional protection to your customers, guests and employees in multiple areas in hospitality, the office and retail space.

Benefits

- Delivers 4-log disinfection rate up to 99.99% to ensure high effectiveness¹.
- Ease of use with touch panel to set time and control the disinfection time: 180 sec/300 sec/600 sec/900sec to disinfect different size objects.
- Modern design, portable size and light weight, which fits easily to the interior of hotel guest rooms, reception areas and office working areas.
- Includes safeguards such as magnetic switch to prevent UVC exposure due to accidental door opening.

Features

- Designed to disinfect all surfaces of the individual object with UV-C radiation coverage thanks to embedded high reflected metal plate.
- Philips 253.7nm UV-C tube emits no ozone during the operation.

¹ Guangdong Detection Center of Microbiology, Report for Analysis. November 2021 China.

UV-C disinfection mini chamber

Application for professional use

The UV-C disinfection mini chamber is ideal for disinfection of multiple small devices, objects and equipment.

Hospitality Disinfect in guest room: small belongings, keys, remote controls; reception areas: personal belongings.




Office Disinfect visitors' badges, personal devices.

Retail Disinfect scanners and badges

Specifications

Volume	~48 L
Size	470*440*400 mm
Wattage	36 w
Input Voltage	220-240V/50/60 Hz
Weight	~9.4 Kg
UV-C lamp	253.7 nm
UV Risk Group	Inside chamber RG3; Outside chamber RG0

Recommended disinfection scheme

Scenario	Min UV irradiance	4LOG disinfection time	Precaution	Reccomended object layout
One small box 100x100x100 mm	0.96w/m ² (96uw/cm ²)	300 seconds	The object shall be placed at least 100 mm to left/right sides, 50 mm to front/back sides	
One big box 200x200x150 mm	0.5w/m ² (50uw/cm ²)	600 seconds	The object shall be placed at least 100 mm to left/right side, 50 mm to front/back sides	
3 small box 70x100x70 mm	0.4w/m ² (40uw/cm ²)	600 seconds	Objects shall be kept 50mm away from each other and 100mm to left/right sides, 50mm to front/back sides	

Product images



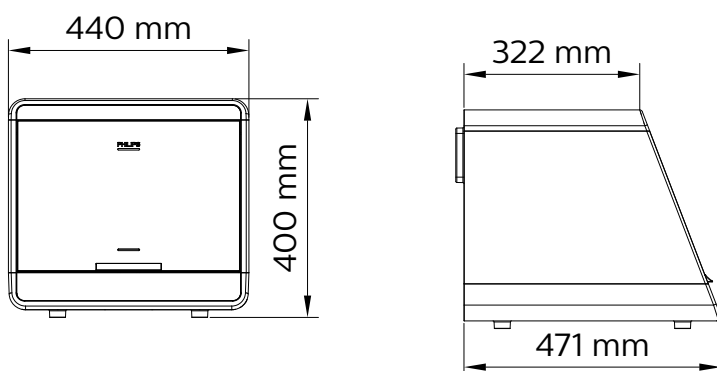
Front side



Left front corner

UV-C disinfection mini chamber

Dimension drawing



Warnings and safety

DANGER: Like any disinfection system, UV-C lamps and devices must be installed and used in the correct way. Direct exposure to UV-C can be dangerous and result in a sunburn-like reaction to the skin and serious damage to the cornea.

UV-C disinfection mini chambers must only be sold through qualified partners and installed by professionals according to our stringent safety and legal requirements. Plants and/or materials that are exposed to UV-C and/or ozone for a long time may become damaged and/or discolored. Products are not intended and shall not be used in applications or activities which may cause death, personal injury and/or damage to the environment. Products are not designed and/or intended to be used to disinfect medical devices or for medical purposes; Signify excludes any and all liability for any such improper use.

Disclaimer

The UV-C disinfection mini chamber effectiveness in the inactivation of certain viruses, bacteria, protozoa, fungi or other harmful micro-organisms is as described above under the heading “Benefits”. Signify and its group of companies do not promise or warrant that the use of the UV-C disinfection mini chamber will protect or prevent any user from infection and/or contamination with any viruses, bacteria, protozoa, fungi, illness or disease.

The UV-C disinfection mini chamber is not approved for, is not intended for and must not be used to disinfect medical devices and must not be used in medical settings. In addition to and without limitation of any exclusions or limitations of liability of Signify and its group of companies as set forth in any agreement for the sale, distribution or otherwise making available of the UV-C disinfection mini chamber, Signify and its group of companies shall have no responsibility or liability whatsoever for any claim or damage that may arise from or relate to any use of the UV-C disinfection mini chamber outside of their intended use or contrary to their installation and operation instructions, each as described in this document, the user manuals and/or the mounting instructions.



©2021 Signify Holding. All rights reserved. The information provided herein is subject to change, without notice. Signify does not give any representation or warranty as to the accuracy or completeness of the information included herein and shall not be liable for any action in reliance thereon. The information presented in this document is not intended as any commercial offer and does not form part of any quotation or contract, unless otherwise agreed by Signify.

Philips and the Philips Shield Emblem are registered trademarks of Koninklijke Philips N.V. All other trademarks are owned by Signify Holding or their respective owners.